

4

3

2

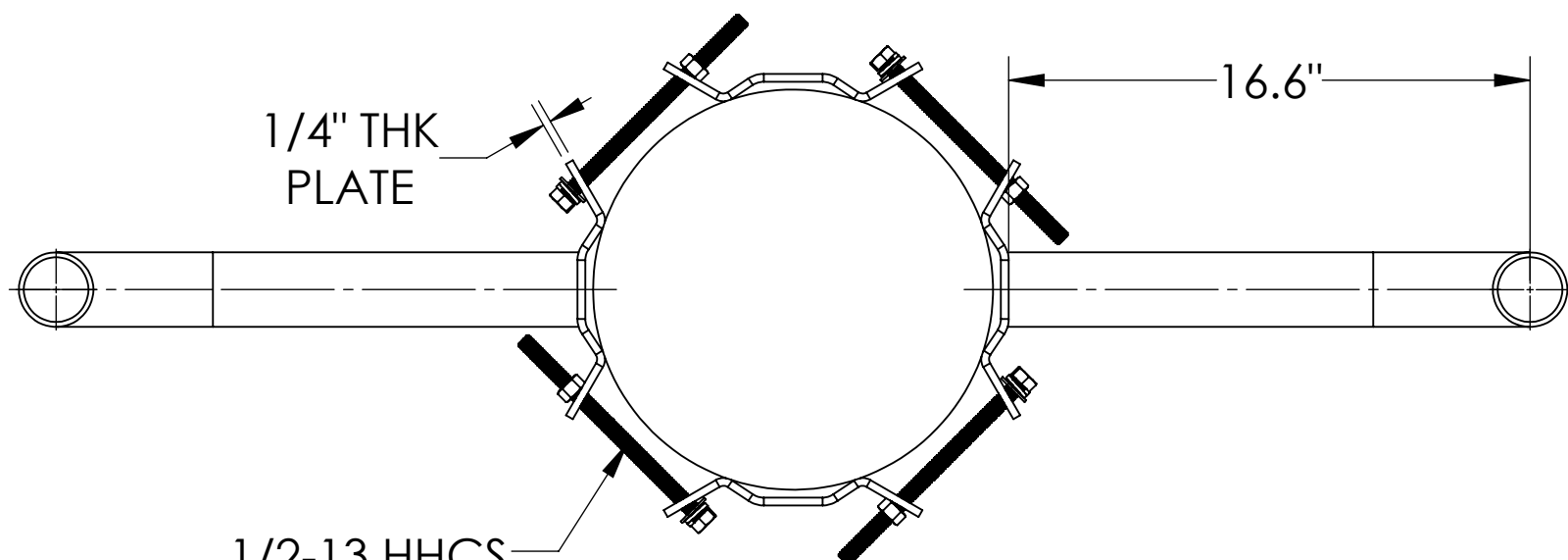
1

B

B

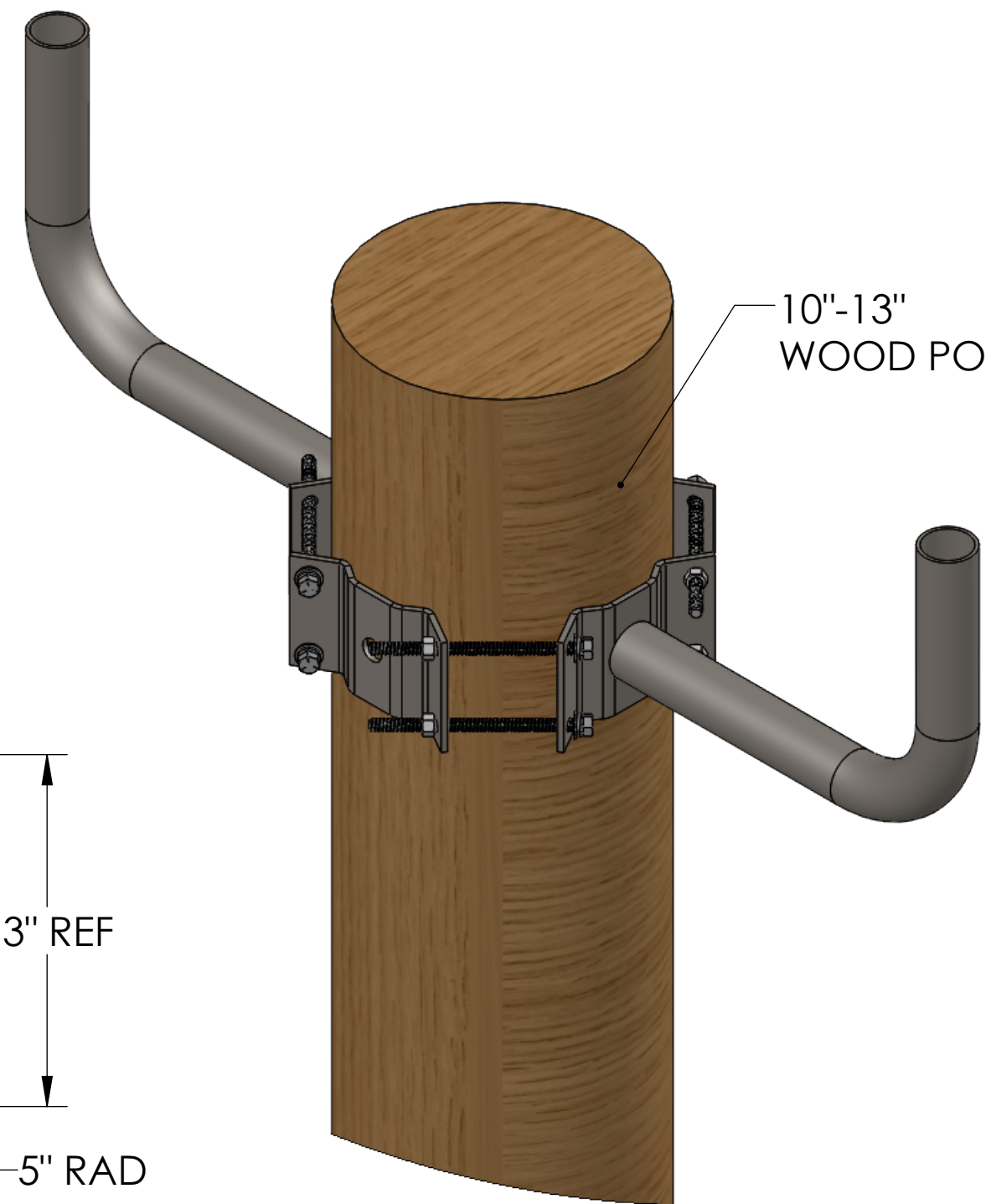
A

A



1/2-13 HHCS
W/HEX NUT,
FLAT AND LOCK
WASHER
(8 PLACES)

2 3/8" OD
X .154" WALL TB




10"-13"
WOOD POLE

13" REF

5" RAD

All dimensions and specifications are subject to change without any notice.

PROPRIETARY AND CONFIDENTIAL
THE INFORMATION CONTAINED IN THIS DRAWING IS THE SOLE PROPERTY OF *Energy Light, Inc.* ANY REPRODUCTION IN PART OR AS A WHOLE WITHOUT THE WRITTEN PERMISSION OF *Energy Light, Inc.* IS PROHIBITED.

		UNLESS OTHERWISE SPECIFIED:		NAME	DATE	TITLE: 2 Arm Wrap Around Bracket for Wood Poles with 10-13 Inch Diameter		
		DIMENSIONS ARE IN INCHES		DRAWN	MKA			07-08-21
		TOLERANCES: FRACTIONAL ± 1/64 ANGULAR: ± 0.5° TWO PLACE DECIMAL ± 0.01 THREE PLACE DECIMAL ± 0.005		ENG APPR.				
		INTERPRET GEOMETRIC TOLERANCING PER: MATERIAL		MFG APPR.				
NEXT ASSY	USED ON	FINISH		 Energy Light, Inc. 1881 Rose Road Lake Zurich, IL 60047		SIZE	ITEM NO.	REV
APPLICATION		DO NOT SCALE DRAWING				B	WPB1151	
						SCALE: 1:6	WEIGHT: 30 lbs	SHEET 1 OF 1

4

3

2

1