

4

3

2

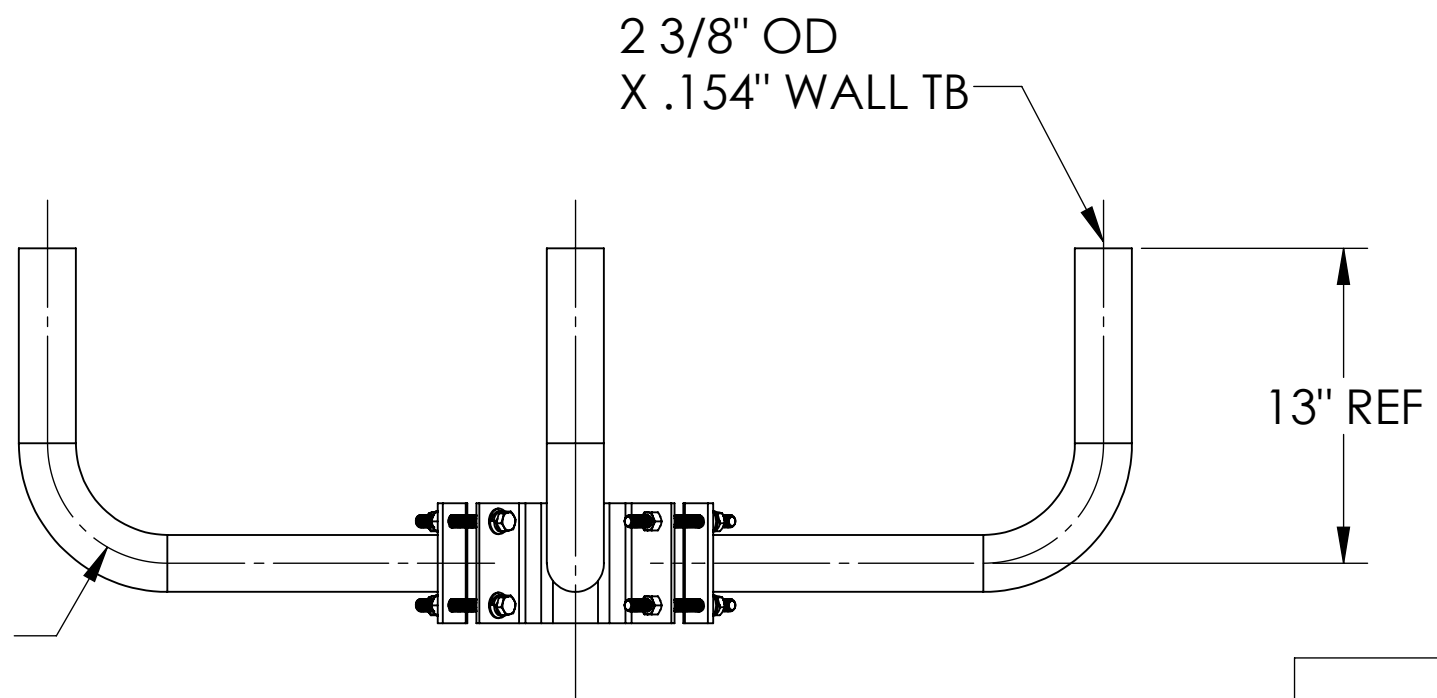
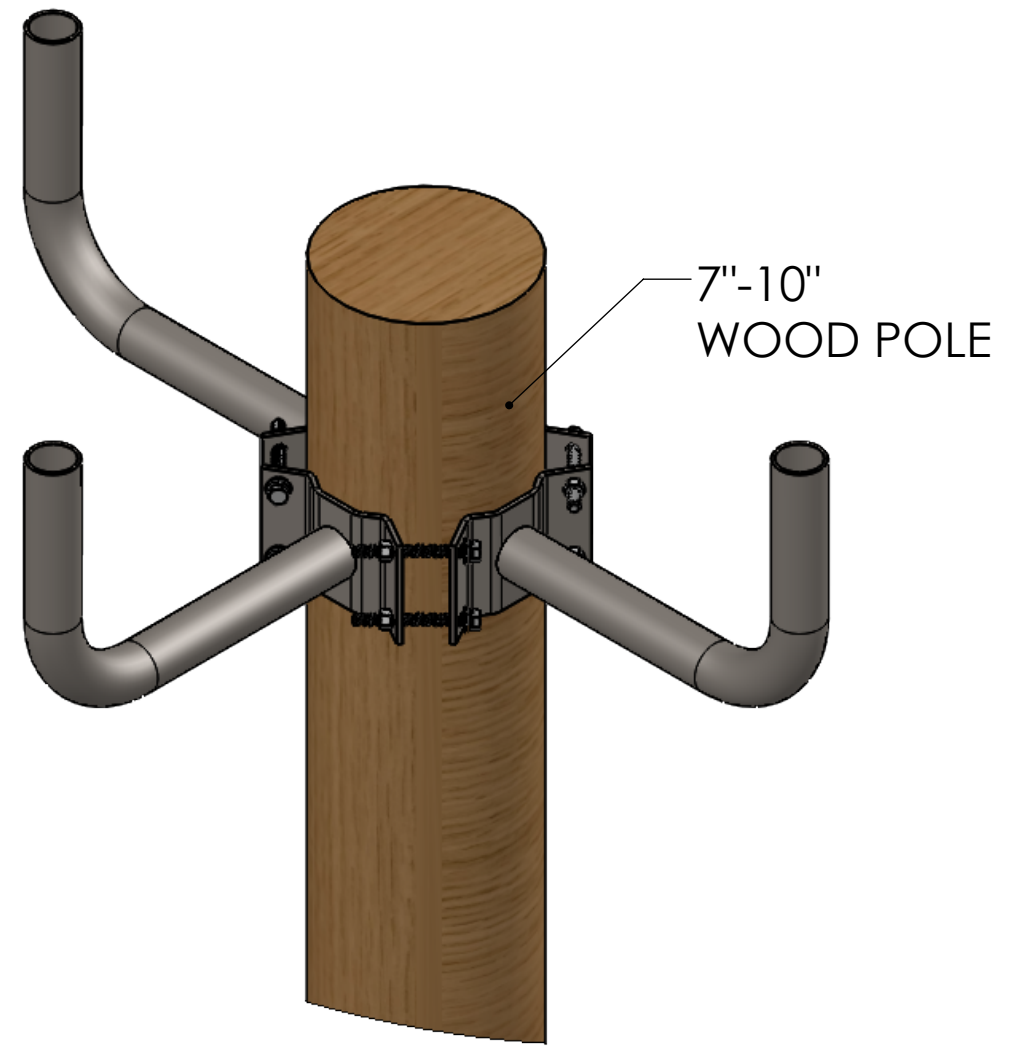
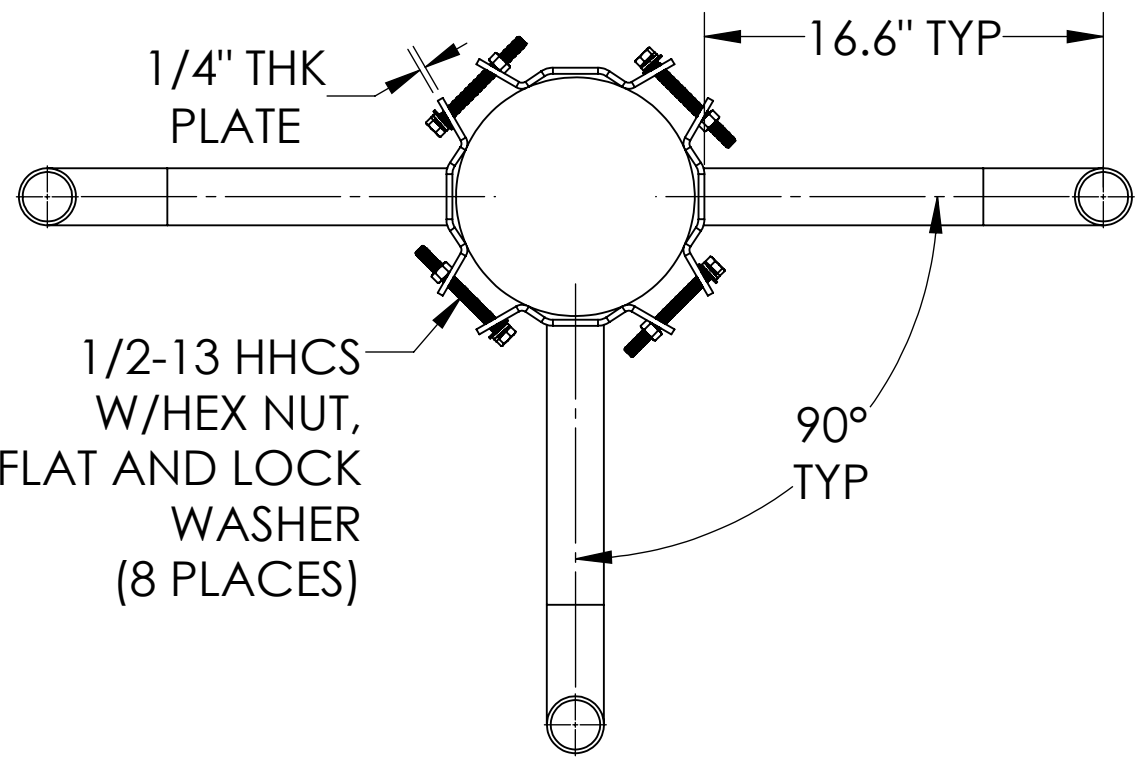
1

B

B


A

A



All dimensions and specifications are subject to change without any notice.

PROPRIETARY AND CONFIDENTIAL
 THE INFORMATION CONTAINED IN THIS DRAWING IS THE SOLE PROPERTY OF **Energy Light, Inc.** ANY REPRODUCTION IN PART OR AS A WHOLE WITHOUT THE WRITTEN PERMISSION OF **Energy Light, Inc.** IS PROHIBITED.

		UNLESS OTHERWISE SPECIFIED:		NAME	DATE
		DIMENSIONS ARE IN INCHES		DRAWN	MKA 07-09-21
		TOLERANCES:		ENG APPR.	
		FRACTIONAL ± 1/64		MFG APPR.	
		ANGULAR: ± 0.5°		Q.A.	
		TWO PLACE DECIMAL ±0.01			
		THREE PLACE DECIMAL ±0.005			
		INTERPRET GEOMETRIC TOLERANCING PER:		 Energy Light, Inc. 1881 Rose Road Lake Zurich, IL 60047	
		MATERIAL			
		Galvanized Steel			
NEXT ASSY	USED ON	FINISH			
APPLICATION		DO NOT SCALE DRAWING			

TITLE:			3 Arm Wrap Around Bracket for Wood Poles with 7-10 Inch Diameter, Arms at 90 Degrees		
SIZE	ITEM NO.	REV			
B	WPB1146				
SCALE: 1:8	WEIGHT: 39 lbs	SHEET 1 OF 1			

4

3

2

1