



QS4ALAB

4 inch Round Aluminum Light Pole - Anchor Based 8-16 Feet High

Job: _____

Job Site: _____

State: _____

Client Name: _____

Notes: _____

Approvals: _____ Date: _____

Pole Top Options: Open top is standard. Removable top cap or tenons are available as options. Tenon options: 2-3/8" O.D. or 3" O.D. 4 inch height is standard.

Pole Shaft: 4 inch round straight aluminum with 0.125" wall thickness. Seamlessly extruded from 6063-T6 alloy.

Pole Height: Standard pole height is 16 ft. Optional heights are 14, 12, 10 and 8 ft. Custom heights are also available.

Handhole: 2-1/2" X 4" size handhole is located at 18 inches from the base. An aluminum handhole cover with 2 screws is provided.

A ground lug with set screw is located near the handhole opening for proper grounding of the pole.

Color: Black powder coat.

Anchor Bolts: A set of 4 galvanized steel anchor bolts is provided with each pole assembly. Each anchor bolt includes 2 nuts and 2 washers. Top portion of the anchor bolt is threaded for securing and leveling the pole with the provided nuts and washers. An actual size paper anchor bolt template is provided.

Base Cover: An optional two-piece base cover is available for additional cost.

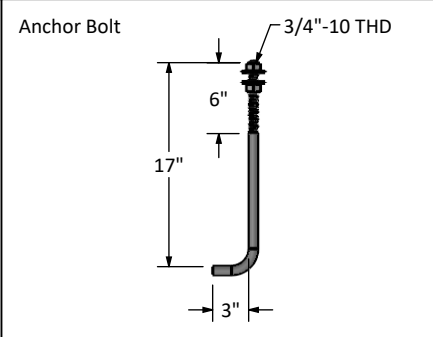
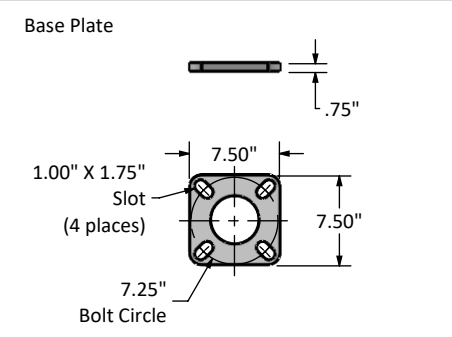
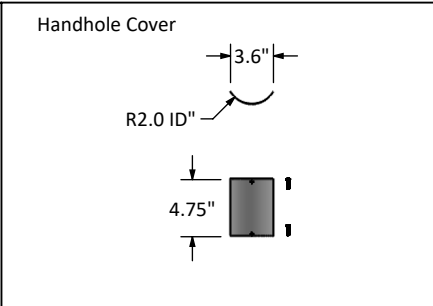
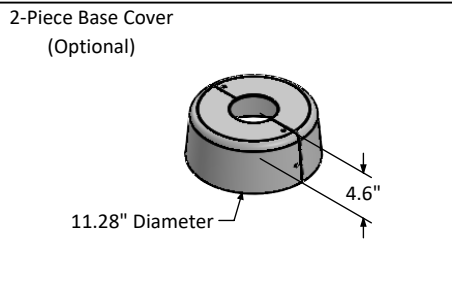
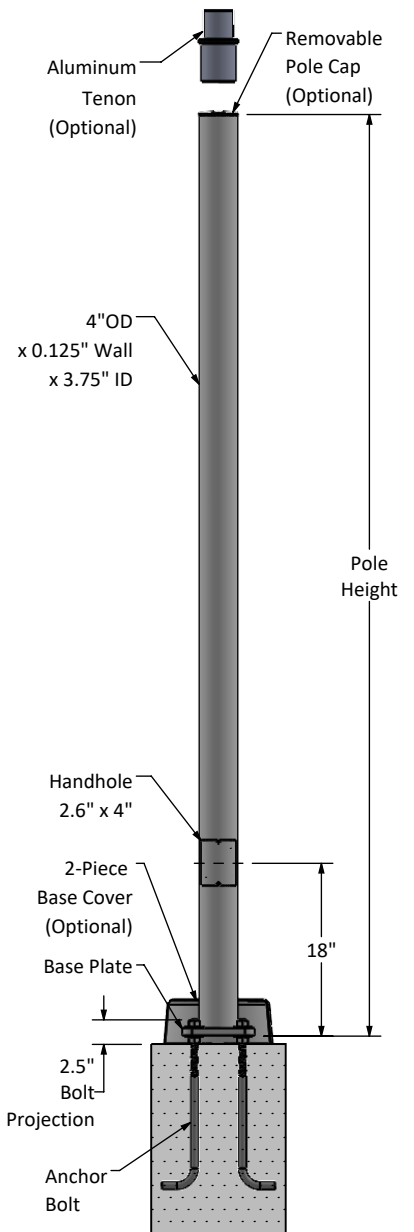
Maximum Load: Designed to support single light with a maximum weight of 30 lbs.

Warranty: 10 Years.

Use: To be used only as a light pole with single light fixture on top.

Foundation design: Foundation should be designed by an engineer familiar with local soil and wind conditions as well as local code where the pole(s) will be installed.

Pole Height (ft)	POLE WIND RATING (EPA) with 1.3 Gust Factor				Pole Weight (lbs)
	70 mph	80 mph	90 mph	100 mph	
8	6.5	4.5	3.2	2.0	17
10	5.6	3.9	2.7	1.7	21
12	4.7	3.3	2.2	1.4	24
14	3.7	2.6	1.8	1.1	28
16	3.2	2.3	1.7	1.0	32



Disclaimer: All dimensions and specifications are subject to change without any notice. Energy Light, Inc. is not responsible for any claims arising from improper loading (what is attached to the light pole), improper use, incorrect foundation design and/or installation.