

4

3

2

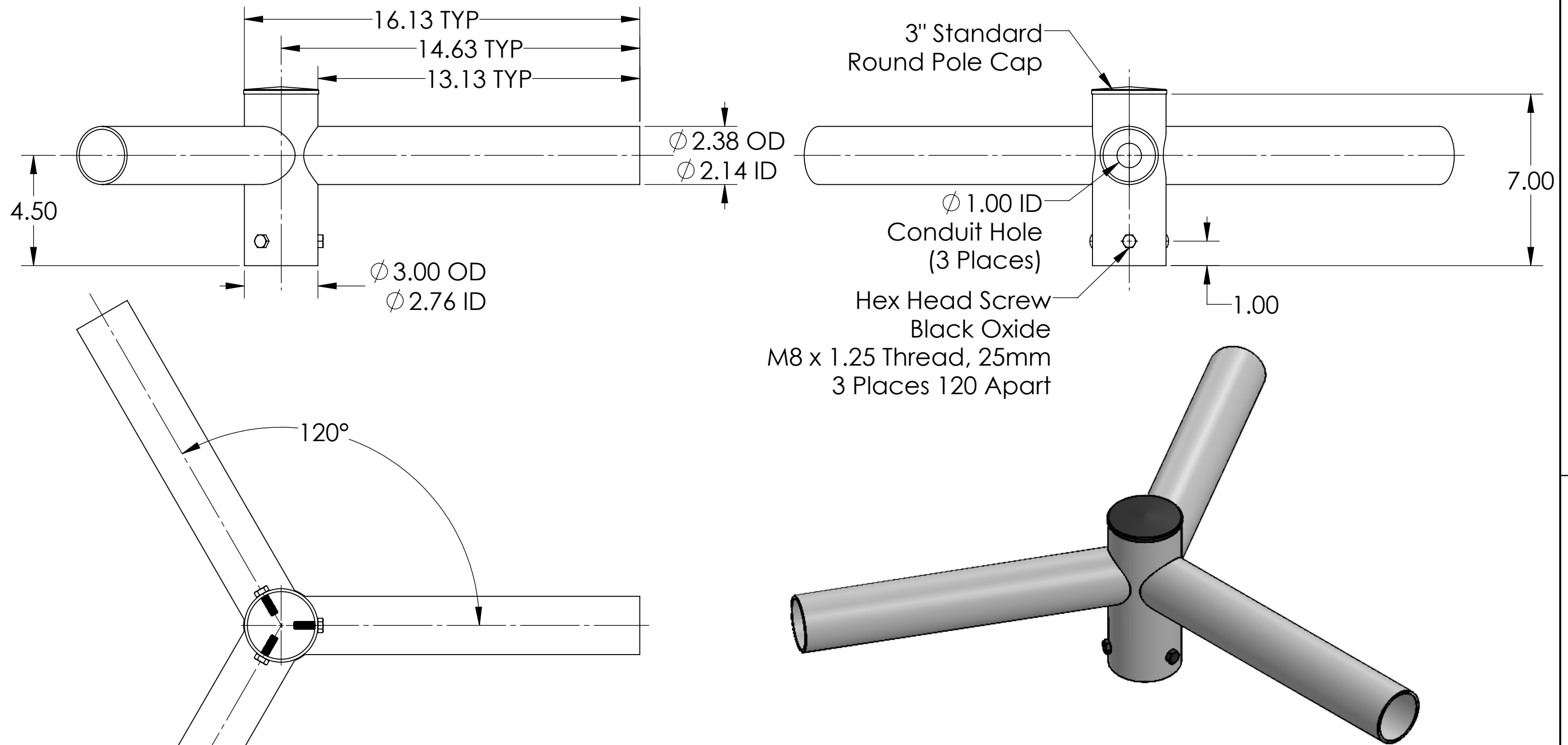
1

B

B


A

A



All dimensions and specifications are subject to change without any notice.

PROPRIETARY AND CONFIDENTIAL
 THE INFORMATION CONTAINED IN THIS DRAWING IS THE SOLE PROPERTY OF *Energy Light, Inc.* ANY REPRODUCTION IN PART OR AS A WHOLE WITHOUT THE WRITTEN PERMISSION OF *Energy Light, Inc.* IS PROHIBITED.

		UNLESS OTHERWISE SPECIFIED:		NAME	DATE	TITLE: Spoke Bracket with 3 Arms at 120°				
		DIMENSIONS ARE IN INCHES		DRAWN	MKA			11-23-20		
		TOLERANCES:		ENG APPR.						
		FRACTIONAL: ± 1/64		MFG APPR.						
		ANGULAR: ± 0.5°		Q.A.			SIZE ITEM NO. REV B PTB312			
		TWO PLACE DECIMAL ±0.01								
		THREE PLACE DECIMAL ±0.005					SCALE: 1:4			
		INTERPRET GEOMETRIC TOLERANCING PER:		 Energy Light, Inc. 1881 Rose Road Lake Zurich, IL 60047			WEIGHT: 11.5 lbs			
		MATERIAL								SHEET 1 OF 1
		STEEL								
NEXT ASSY	USED ON	FINISH								
APPLICATION		DO NOT SCALE DRAWING								