

Job: _____
 Job Site: _____ State: _____ Client Name: _____
 Notes: _____ Approvals: _____ Date: _____

LIGHT POLE

Pole Shaft: 3 inch round straight aluminum with 0.125" wall thickness. Seamlessly extruded from 6063-T6 alloy.

Pole Height: Standard pole height is 14 ft. Optional heights are 12, 10 and 8 ft. Custom heights are also available.

Handhole: 2" X 4" size handhole is located at 18 inches from the base. An aluminum handhole cover with 2 screws is provided. A ground lug with set screw is located near the handhole opening for proper grounding of the pole.

Decorative Base: 2-piece, clamshell style cast aluminum material. Cast aluminum collar is included for proper fitment of 3" OD pole into the base. 4 stainless steel, tamper-resistant screws are included for attachment. Attached to the pole with 3 set screws.

Weight: 17.5 lbs

Color: Black powder coat.

Anchor Bolts: A set of 4 galvanized steel anchor bolts is provided with each pole assembly. Each anchor bolt includes 2 nuts and 2 washers. Top portion of the anchor bolt is threaded for securing and leveling the pole with the provided nuts and washers. An actual size paper anchor bolt template is provided.

Maximum Wind Rating: 100 mph wind zone with 1.3 gust factor.

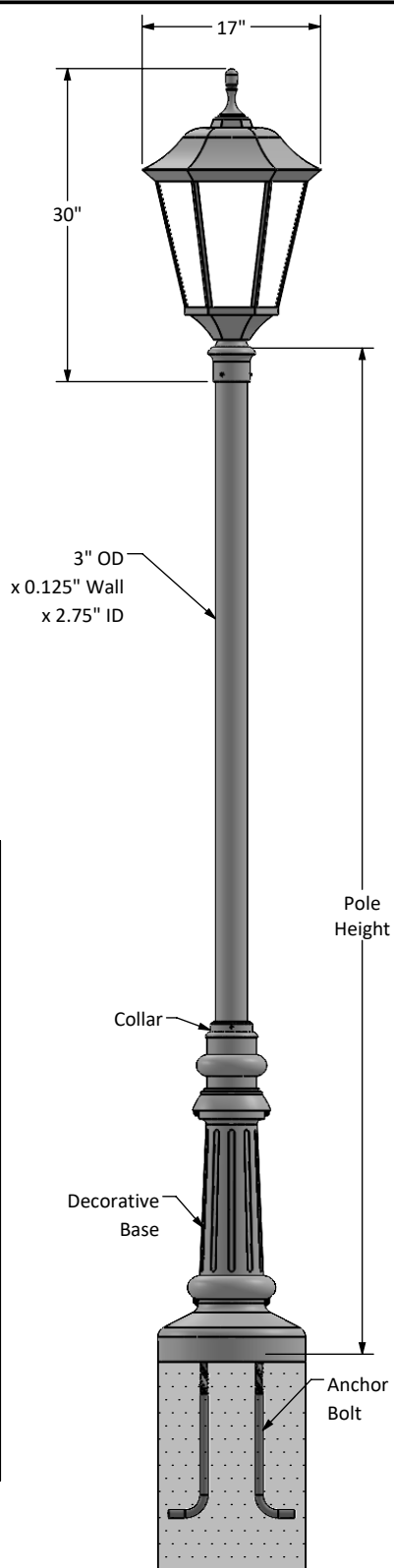
Warranty: 5 Years.

Foundation design: Foundation should be designed by an engineer familiar with local soil and wind conditions as well as local code where the pole(s) will be installed.

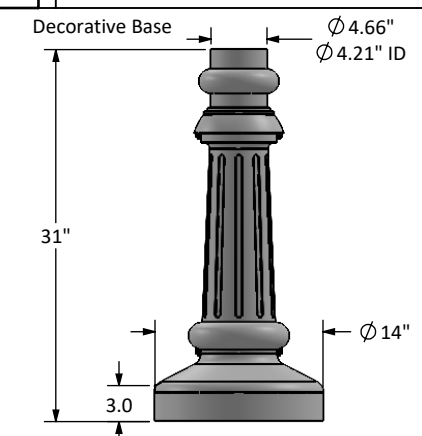
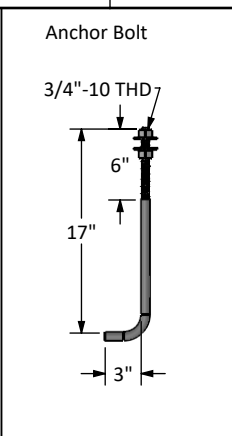
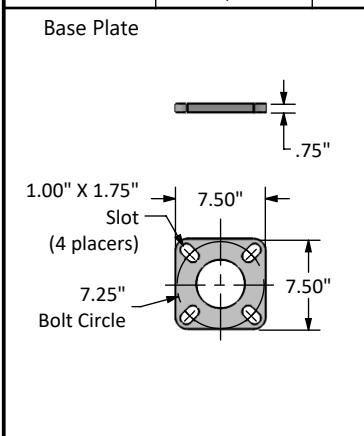
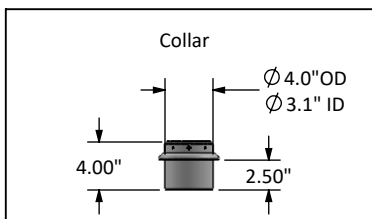
LANTERN FIXTURE

Lantern Fixture: Cast aluminum frame features 6 frosted tempered glass lenses. All LED power options include mogul socket. Wet location rated. 3 stainless steel screws are provided for attachment to pole.

Weight: 12 lbs



LED Power (Watt)	Lumens	Lumens Per Watt	Voltage (Volt)
27	3,900	144	120-277
36	5,400	150	120-277
45	6,800	151	120-277
80	10,800	135	120-277
100	13,500	135	120-277



Disclaimer: All dimensions and specifications are subject to change without any notice. Energy Light, Inc. is not responsible for any claims arising from improper loading (what is attached to the light pole), improper use, incorrect foundation design and/or installation.