



# PKWD33

## Windsor LED Light Pole Kit with Lantern Fixture 3 Inch Diameter Light Pole - Direct Burial

Job: \_\_\_\_\_  
 Job Site: \_\_\_\_\_ State: \_\_\_\_\_ Client Name: \_\_\_\_\_  
 Notes: \_\_\_\_\_ Approvals: \_\_\_\_\_ Date: \_\_\_\_\_

### LIGHT POLE

**Pole Shaft:** 3 inch round straight aluminum with 0.125" wall thickness. Seamlessly extruded from 6063-T6 alloy.

**Pole Height:** Standard above grade pole height is 15 ft. Optional heights are 12, 10 and 8 ft. Custom heights are also available.

**Handhole:** 2" X 4" size handhole is located at 12" from the ground line. An aluminum handhole cover with 2 screws is provided. A ground lug with set screw is located near the handhole opening for proper grounding of the pole.

**Decorative Base:** One piece, slipover type cast aluminum material. Cast aluminum collar is included for proper fitment of 3" OD pole into the base. Attached to the pole with 3 set screws.

Weight: 15 lbs  
 Color: Black powder coat.

**Embedment:** Embedment length is 3 ft. for all pole heights. A 1-3/4" X 5 3/4" size slotted opening is provided 18 inches from the ground line for conduit entry.

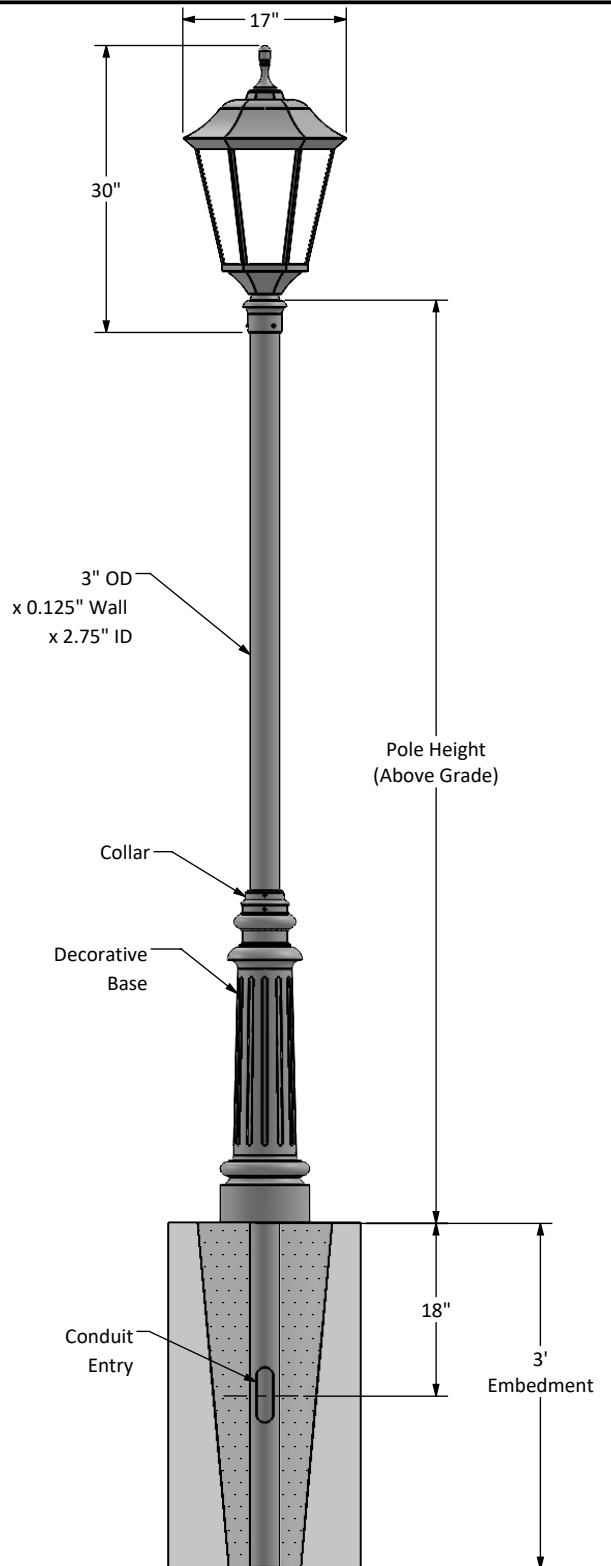
**Maximum Wind Rating:** 100 mph wind zone with 1.3 gust factor.

**Warranty:** 5 Years.

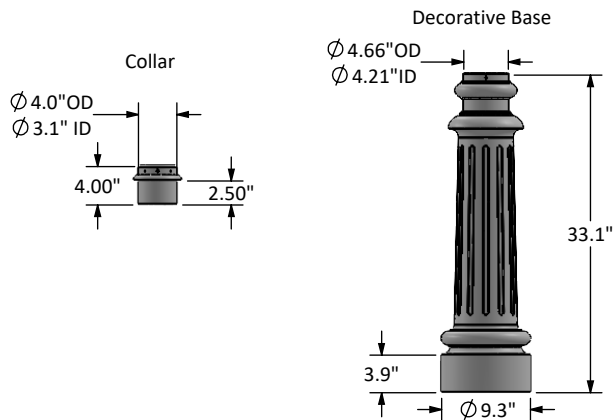
**Foundation Design:** Foundation should be designed by an engineer familiar with local soil and wind conditions as well as local code where the pole(s) will be installed.

### LANTERN FIXTURE

**LED Lantern Light Fixture:** Cast aluminum frame features 6 frosted tempered glass lenses. All LED power options include mogul socket. Wet location rated. 3 stainless steel screws are provided for attachment to pole. Weight: 12 lbs



LED Power (Watt)	Lumens	Lumens Per Watt	Voltage (Volt)
27	3,900	144	120-277
36	5,400	150	120-277
45	6,800	151	120-277
80	10,800	135	120-277
100	13,500	135	120-277



**Disclaimer:** All dimensions and specifications are subject to change without any notice. Energy Light, Inc. is not responsible for any claims arising from improper loading (what is attached to the light pole), improper use, incorrect foundation design and/or installation.