

**PKDEC08AB**

Bastille Decorative LED Pole Kit with Standard Acorn Fixture 4 Inch Diameter Anchor Based Light Pole

Job: _____

Job Site: _____

State: _____

Client Name: _____

Notes: _____

Approvals: _____

Date: _____

LIGHT POLE**Pole Shaft:** 4 inch round straight aluminum with 0.125" wall thickness.

Seamlessly extruded from 6063-T6 alloy.

Pole Height: Standard pole height is 16 ft. Optional heights are 14, 12, 10 and 8 ft.

Custom heights not exceeding 16 foot are available.

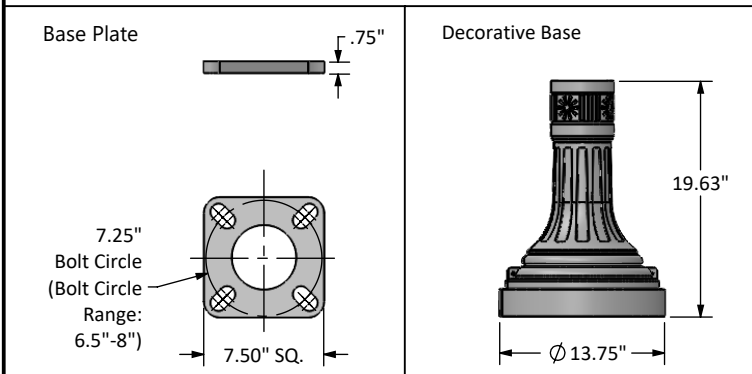
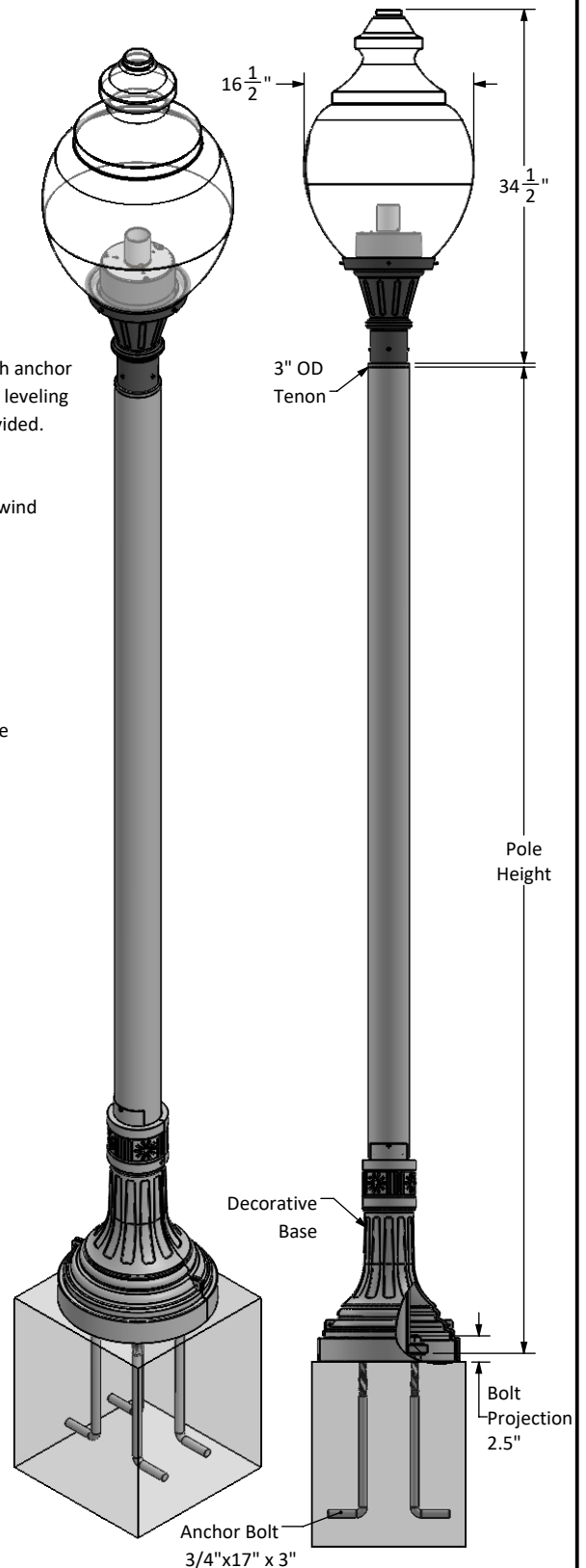
Handhole: 2 1/2" X 4" size handhole is located 18 inches from the base. An aluminum handhole cover with 2 screws is provided. A ground lug with set screw is located near the handhole opening for proper grounding of the pole.**Decorative Base:** 2-piece, clamshell style cast aluminum material. 4 stainless steel (2 each for upper and lower halves) are provided to attach the base halves together for seamless look.

Weight: 13 lbs

Color: Black powder coat.**Anchor Bolts:** A set of 4 galvanized steel anchor bolts is provided with each pole assembly. Each anchor bolt includes 2 nuts and 2 washers. Top portion of the anchor bolt is threaded for securing and leveling the pole with the provided nuts and washers. An actual size paper anchor bolt template is provided.**Maximum Wind Rating:** 100 mph wind zone with 1.3 gust factor.**Warranty:** 5 Years.**Foundation design:** Foundation should be designed by an engineer familiar with local soil and wind conditions as well as local code where the pole(s) will be installed.**ACORN FIXTURE****Standard LED Acorn Light Fixture:**

- Black powder coated Cast Aluminum base slips over the top of the tenon and is secured with 4 set screws.
- All LED power options include a Mogul socket.
- Polycarbonate Acorn lens has a translucent texture and is attached to the cast aluminum base with 4 set screws.
- Weight : 10 lbs

LED Power (Watt)	Lumens	Voltage (Volt)
27	3,900	120-277
36	5,400	120-277
45	6,800	120-277
80	10,800	120-277
100	13,500	120-277



Disclaimer: All dimensions and specifications are subject to change without any notice. Energy Light, Inc. is not responsible for any claims arising from improper loading (what is attached to the light pole), improper use, incorrect foundation design and/or installation.