



PK80

LED Light Pole Kit with Single 80 Watt LED Light

Job: _____
 Job Site: _____ State: _____ Client Name: _____
 Notes: _____ Approvals: _____ Date: _____

Commercial-grade LED Light Pole Assembly Includes:

Square steel light pole, Single LED light complete with mounting bracket and hardware, set of anchor bolts and a base cover.

Light Pole:

Pole Shaft: 4 inch square 11 gauge commercial grade steel with minimum yield strength of 55,000 psi

Pole Height: Standard pole height is 10 ft. Optional heights are 15ft. and 20 ft.

Custom heights are also available.

Anchor Bolts: A set of 4 galvanized steel anchor bolts is provided.

Each anchor bolt includes 2 nuts and 2 washers.

Bolt Circle: 8-1/2" (Slotted base for 8-11" Bolt Circle).

Handhole: Handhole is located 18" above the base plate. A 3" X 6" steel handhole cover is included.

Color: Dark Bronze

Base Cover: ABS Plastic base cover with rivets.

LED Fixture:

Material: Aluminum construction with integrated fins to maximize heat dissipation.

Color: Dark Bronze.

Power: 80 Watts

Lumens: 11,000

Lumens/Watt: 138

Voltage: 120-277 Volt standard. 200-480 Volt option as special order.

Color Temperature: 5000K standard. 4000K and 3000K options as special order.

Light Distribution: Type 3 standard. Type 4 option as special order.

Photocell: Optional Twist/Lock photocell.

Dimming: 0-10V Dimming Capable. Dimming control not provided (field install).

UL Listing: UL Listed for Wet Locations.

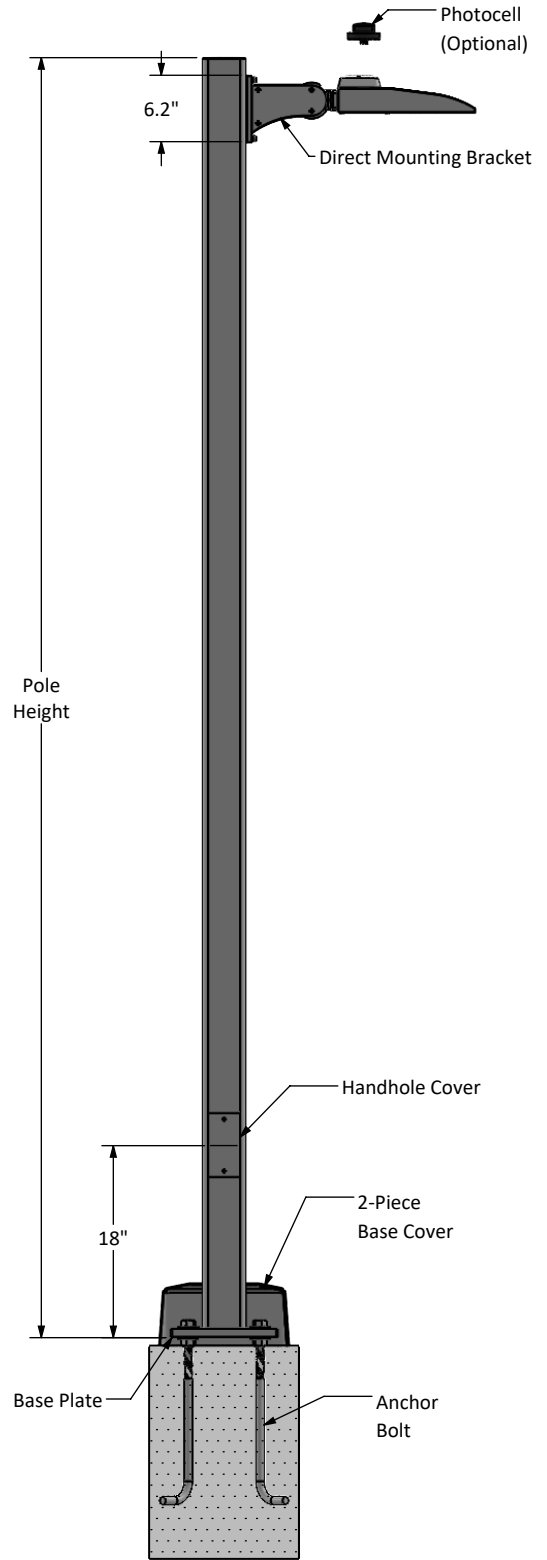
DLC Listing: DLC Premium.

IP Rating: IP65

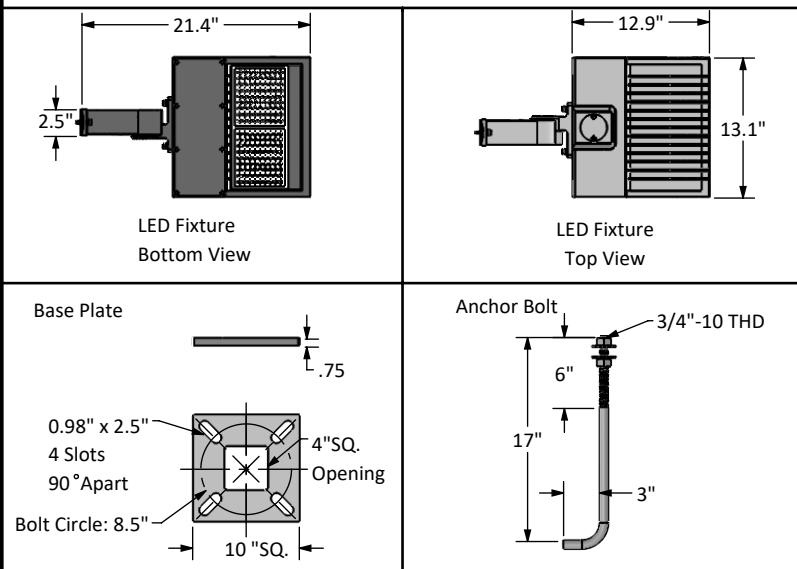
Life Expectancy: 100,000 hours (L70)

Warranty: 5 Years.

Weight: 13.5 lbs.



| System Data | | | | |
|---------------------|--------------|------------|------|-----------------|
| Total Power (Watts) | Total Lumens | Total Amps | | Max Wind Rating |
| | | 120V | 277V | |
| 80 | 11,000 | 0.7 | 0.3 | 140 mph |



Disclaimer: All dimensions and specifications are subject to change without any notice. Light Pole Foundation should be designed by an engineer familiar with local soil and wind conditions as well as local code where the light pole will be installed.