



# PK2003A

# LED Light Pole Kit with Three Adjustable 200 Watt LED Lights

Job: \_\_\_\_\_  
 Job Site: \_\_\_\_\_ State: \_\_\_\_\_ Client Name: \_\_\_\_\_  
 Notes: \_\_\_\_\_ Approvals: \_\_\_\_\_ Date: \_\_\_\_\_

**Commercial-grade LED Light Pole Assembly Includes:**

Square steel light pole, 3 LED lights complete with adjustable slip fitters, low profile pole bracket, hardware, set of anchor bolts and a base cover.

**Orientation Options:** 1. Straight Inline  
 (see page 2) 2. 120° Orientation

**Light Pole:**

**Pole Shaft:** Commercial grade steel with minimum yield strength of 55,000 psi.

15 ft. and 20 ft. poles: 4" square X 11 gauge; 25 ft. poles: 4" square X 7 gauge; 30 ft poles: 5" square X 7 gauge.

**Pole Height:** Standard pole height is 15 ft. Optional heights are 20 ft., 25 ft. and 30 ft. Custom heights are also available.

**Anchor Bolts:** A set of 4 galvanized steel anchor bolts is provided. Each anchor bolt includes 2 nuts and 2 washers.

**Bolt Circle:** 4"sq. Pole: 8-1/2" Bolt Circle (Slotted base for 8-11" Bolt Circle).

30 ft. poles: 11" Bolt Circle (Slotted base for 10.5" - 12" Bolt Circle)

**Handhole:** Handhole is located 18" above the base plate for 15 ft., 20 ft. and 25 ft. pole. 21" above the base plate for 30 ft. pole. Handhole cover size: 3" X 6" for 15 ft., 20 ft. and 25 ft. poles. 3" X 5" for 30 ft. poles.

**Color:** Dark Bronze

**Base Cover:** ABS Plastic base cover with rivets.

**LED Fixture:**

**Material:** Aluminum construction with integrated fins to maximize heat dissipation.

**Color:** Dark Bronze.

**Power:** 200 Watts

**Lumens:** 25,500. **Lumens/Watt:** 128

**Voltage:** 120-277 Volt standard. 345-480 Volt option as special order.

**Color Temperature:** 5000K standard. 4000K and 3000K options as special order.

**Photocell:** Optional Twist/Lock photocell.

**Dimming:** 0-10V Dimming Capable. Dimming control not provided (field install).

**UL Listing:** UL Listed for Wet Locations.

**DLC Listing:** DLC Premium.

**IP Rating:** IP65

**Life Expectancy:** 100,000 hours (L70)

**Warranty:** 5 Years.

**Weight:** 17.5 lbs.



System Data					
Total Power (Watts)	Total Lumens	Total Amps		Max Wind Rating	
		120V	277V	15 ft, 20 ft, 25 ft	30 ft
3X200=600	3X25,500=76,500	3X1.67=5.01	3X0.72=2.16	140 mph	120 mph

**Base Plate**

**Bolt Circle**

Pole Height	Base Plate Dim	Slot Dim	Bolt Circle
15 ft, 20 ft, 25 ft	10" Sq.x 0.75"	0.98" x 2.5"	8.5"
30 ft	11" Sq. x 1"	1.15" x 1.9"	11.0"

**Anchor Bolt**

Pole Height	Anchor Bolt
15 ft, 20 ft	3/4"x17"x3"
25 ft	3/4"x30"x3"
30 ft	1"x36"x4"

**LED Fixture Front View**

**LED Fixture Back View**

**Disclaimer:** All dimensions and specifications are subject to change without any notice. Light Pole Foundation should be designed by an engineer familiar with local soil and wind conditions as well as local code where the light pole will be installed.



# PK2003A

# LED Light Pole Kit with Three Adjustable 200 Watt LED Lights

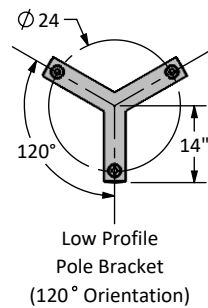
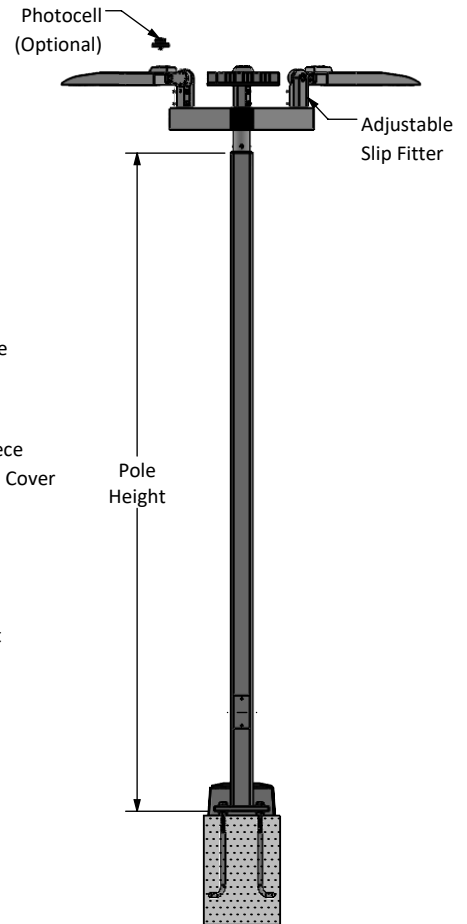
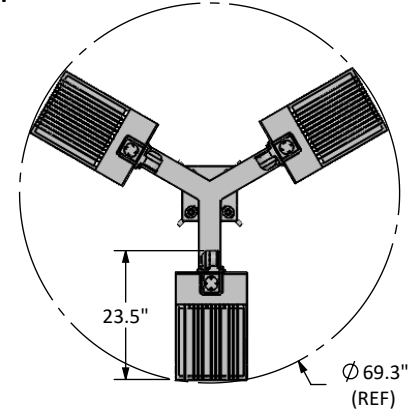
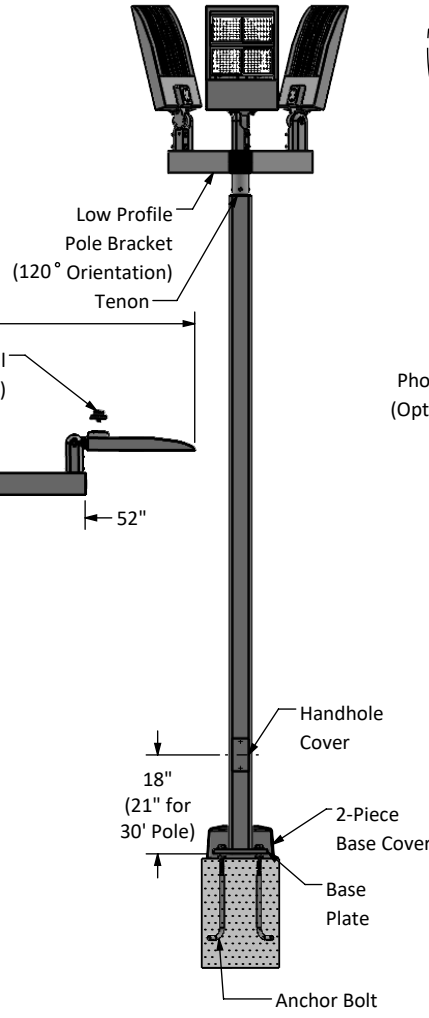
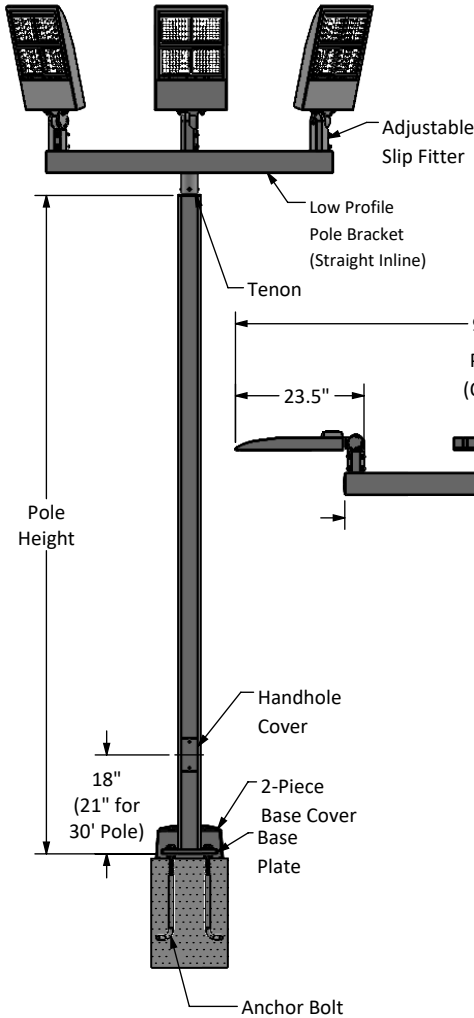
Job: \_\_\_\_\_

Job Site: \_\_\_\_\_ State: \_\_\_\_\_ Client Name: \_\_\_\_\_

Notes: \_\_\_\_\_ Approvals: \_\_\_\_\_ Date: \_\_\_\_\_

## 1. Straight Inline

## 2. 120° Orientation



**Disclaimer:** All dimensions and specifications are subject to change without any notice. Light Pole Foundation should be designed by an engineer familiar with local soil and wind conditions as well as local code where the light pole will be installed.