



MEGA450

450 Watt LED Flood Light

Job: _____
 Job Site: _____ State: _____ Client Name: _____
 Notes: _____ Approvals: _____ Date: _____

Material: Aluminum construction with integrated fins to maximize heat dissipation.

Color: Dark Bronze.

Power: 450 Watts

Lumens: 56,000

Lumens/Watt: 125

Voltage: 120-277 Volt standard.

345-480 Volt option as special order.

Amps: 3.75 @ 120V/1.62 @ 277V

Color Temperature: 5000K standard.

4000K and 3000K options as special order.

Photocell: Optional Twist/Lock photocell.

Dimming: 0-10V Dimming Capable.

Dimming control not provided (field install).

UL Listing: UL Listed for Wet Locations.

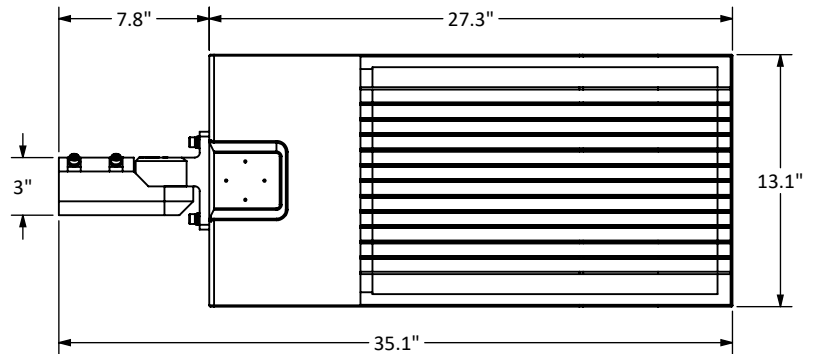
DLC Listing: DLC Premium.

IP Rating: IP65

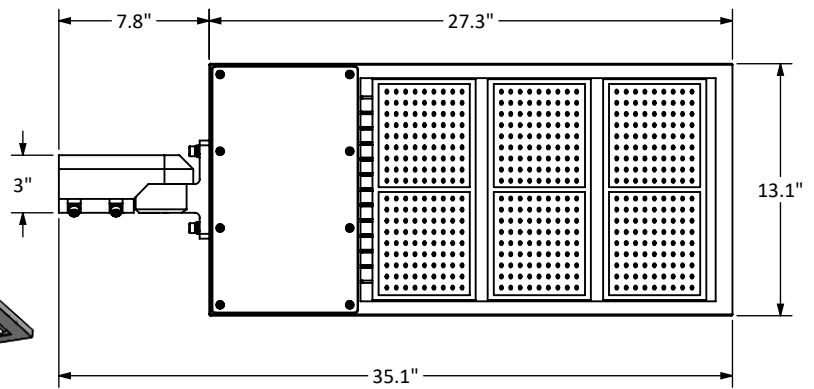
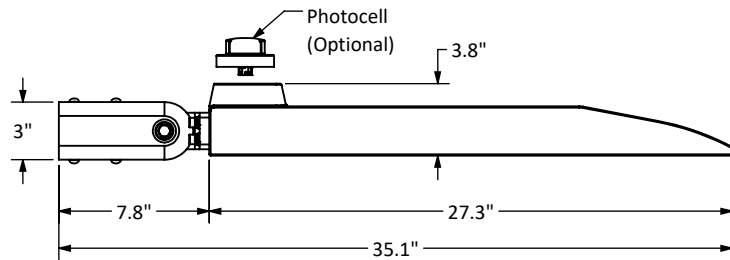
Life Expectancy: 100,000 hours (L70)

Warranty: 5 Years.

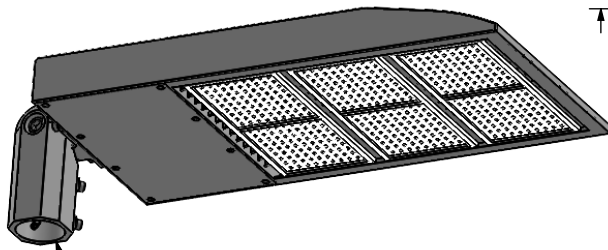
Weight: 26.5 lbs.



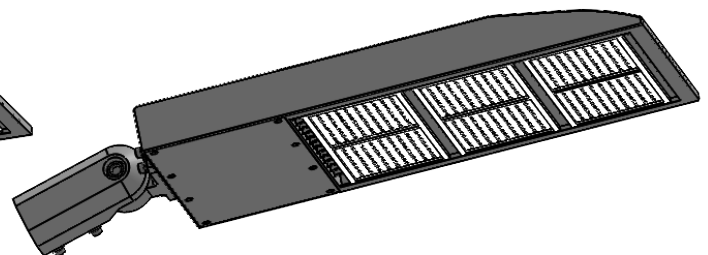
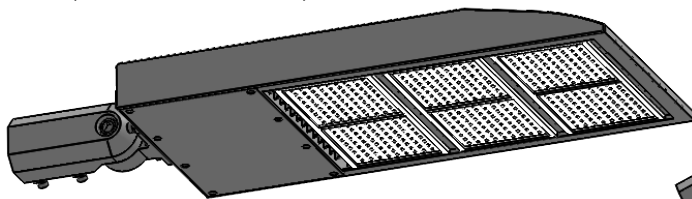
Top View



Bottom View



Adjustable Slip Fitter
(Fits over 2 3/8" OD Tenon)



Disclaimer: All dimensions and specifications are subject to change without any notice.