

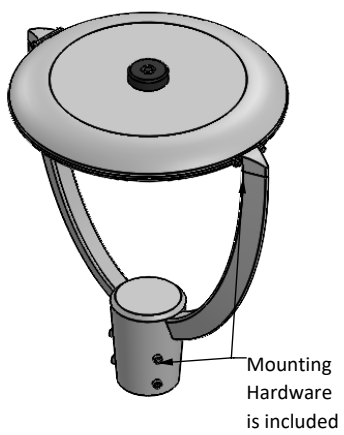
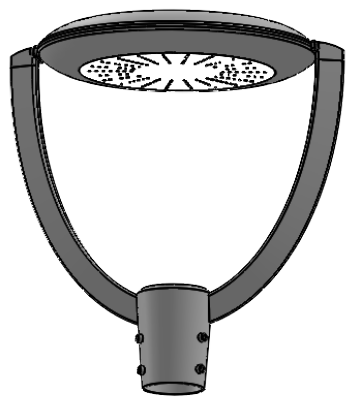
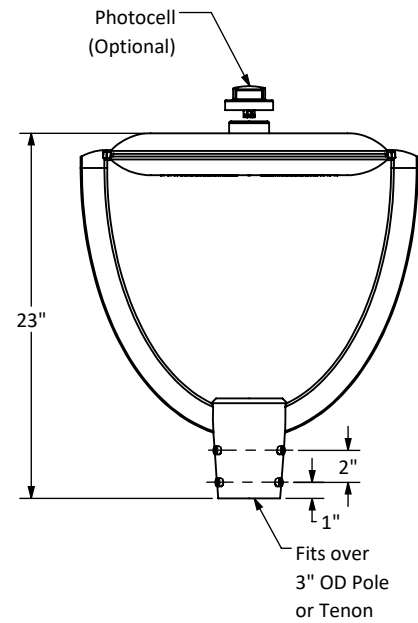
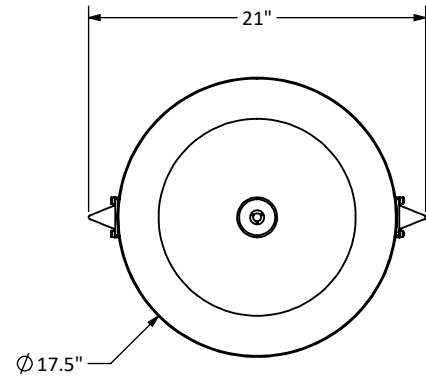


Halo75

75 Watt Post-Top Area Light

Job: _____
 Job Site: _____ State: _____ Client Name: _____
 Notes: _____ Approvals: _____ Date: _____

Material: Aluminum construction.
Type: Post-Top Area Light
Color: Black powder coat.
Power: 75 Watts
Lumens: 9,600
Lumens/Watt: 128
Voltage: 120-277 Volt standard.
 345-480 Volt option as special order.
Amps: 0.63@120V / 0.27@277V
Color Temperature: 5000K standard.
 4000K and 3000K options as special order.
Photocell (Optional): Twist/Lock photocell.
Dimmable: No
UL Listing: UL Listed for Wet Locations.
DLC Listing: DLC Premium.
IP Rating: IP65
Life Expectancy: 50,000 hours
Warranty: 5 Years.
Weight: 15 lbs.



Disclaimer: All dimensions and specifications are subject to change without any notice.
 Energy Light, Inc. is not responsible for any claims arising from improper use and/or installation.