

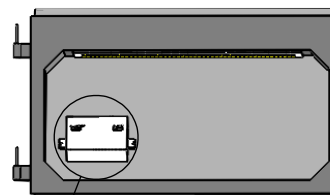
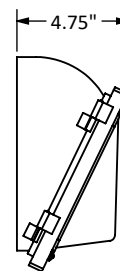
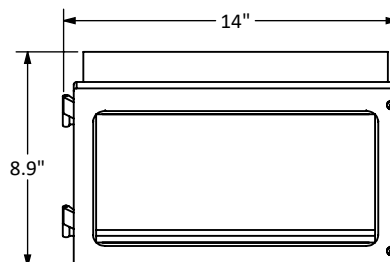


AWP75

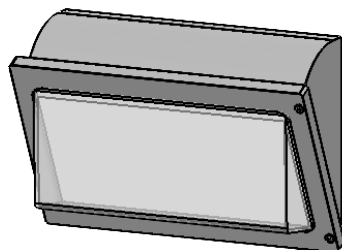
75 Watt LED Wall Pack Adjustable Power and Color Temperature

Job: _____
 Job Site: _____ State: _____ Client Name: _____
 Notes: _____ Approvals: _____ Date: _____

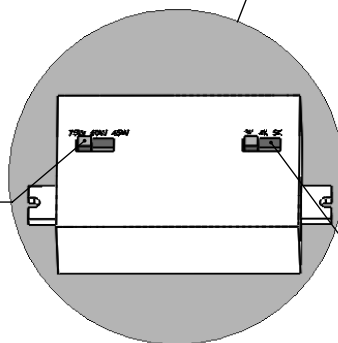
Material: Die-cast aluminum
Housing: Ultra-slim with four (4) 1/2" threaded conduit hubs: (1) on back and (1) on each side, (1) on top
Lens: Borosilicate glass lens for optimum light distribution
Power: 75W, 60W, 45W
Color Temperature (CCT): 5000K, 4000K, 3000K
Voltage: 120-277V
Lumens: 10,125 Lm (75W), 8,100 Lm (60W), 6,075 Lm (45W)
Lumens/Watt: 135
Color: Bronze
Power Factor: >0.95
CRI: >70
Dimming: 0-10V
UL Listing: UL Listed for Wet Location
IP Rating: IP65
Life Expectancy: 50,000 hours
Warranty: 5 Years
Weight: 8.5 lbs



SHOWN WITHOUT REFLECTOR AND LENS



Power Adjustment Switch (75W, 60W, 45W)



CCT Adjustment Switch (3000K, 4000K, 5000K)

Disclaimer: All dimensions and specifications are subject to change without any notice. Energy Light, Inc. is not responsible for any claims arising from improper installation and or/ improper use.