

4

3

2

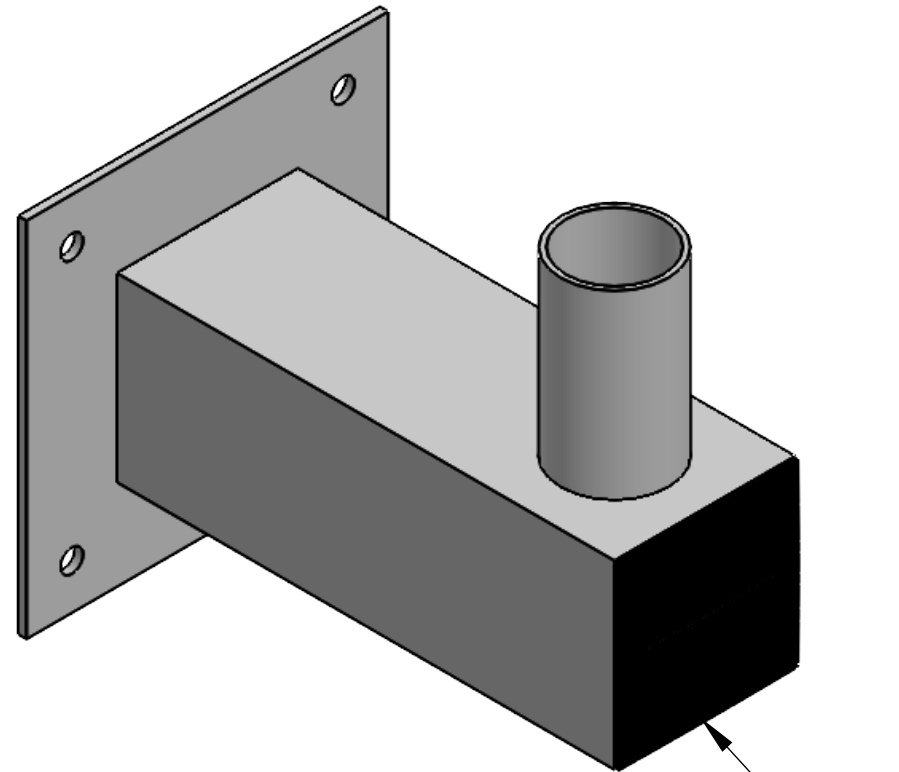
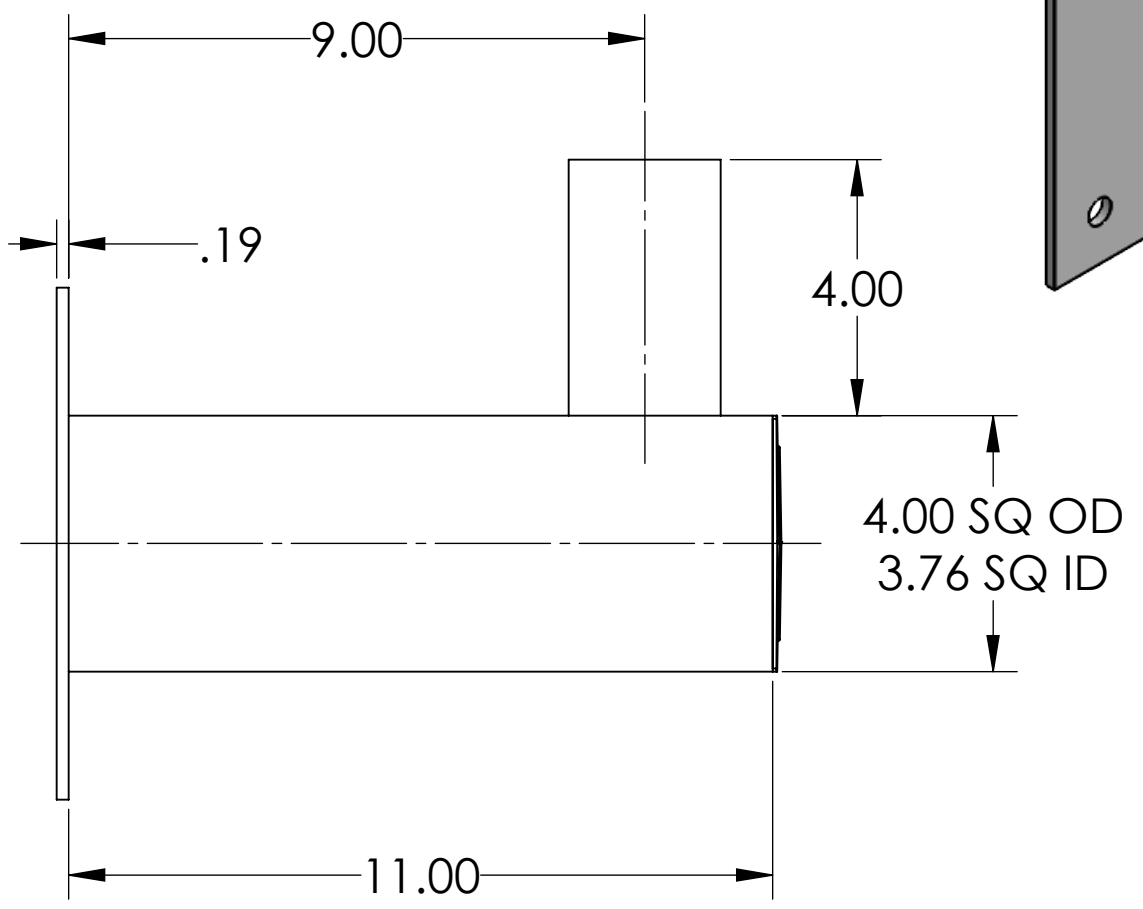
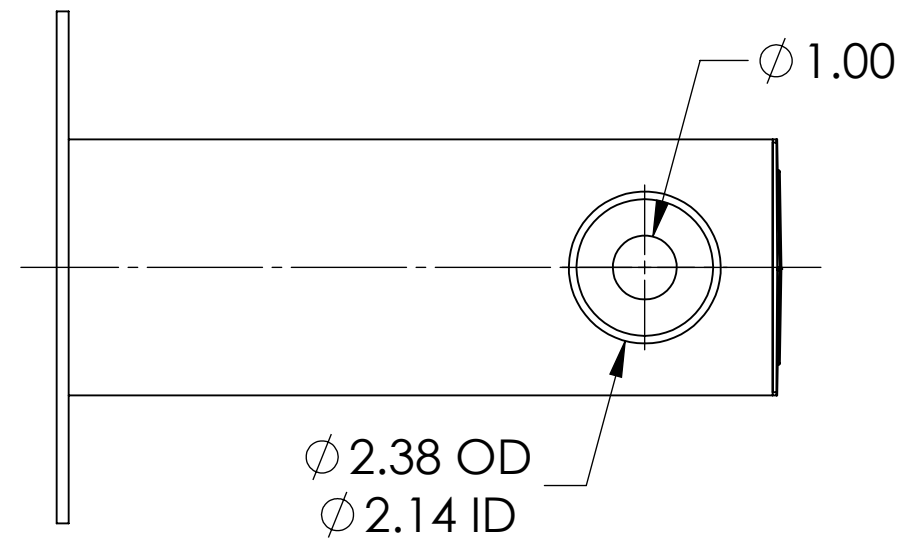
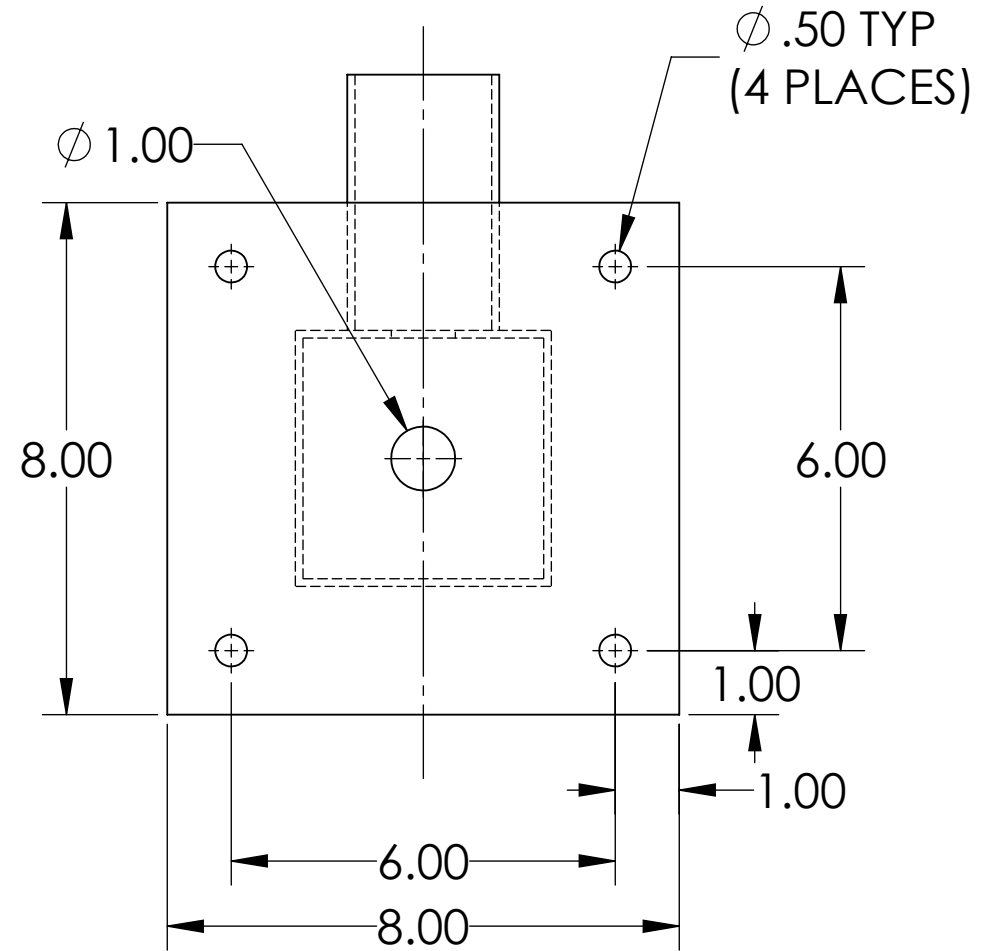
1

B

B

A


A



4" STANDARD
SQUARE
POLE CAP

All dimensions and specifications are subject to change without any notice.

PROPRIETARY AND CONFIDENTIAL
THE INFORMATION CONTAINED IN THIS DRAWING IS THE SOLE PROPERTY OF *Energy Light, Inc.* ANY REPRODUCTION IN PART OR AS A WHOLE WITHOUT THE WRITTEN PERMISSION OF *Energy Light, Inc.* IS PROHIBITED.

		UNLESS OTHERWISE SPECIFIED:		NAME	DATE	TITLE:			
		DIMENSIONS ARE IN INCHES TOLERANCES: FRACTIONAL: ± 1/64 ANGULAR: ± 0.5° TWO PLACE DECIMAL ±0.01 THREE PLACE DECIMAL ±0.005		DRAWN	MKA	11-03-20	Tenon Arm for Wall Mounting		
		INTERPRET GEOMETRIC TOLERANCING PER:		ENG APPR.					
		MATERIAL		MFG APPR.					
NEXT ASSY		USED ON		FINISH	 Energy Light, Inc. 1881 Rose Road Lake Zurich, IL 60047		SIZE	ITEM NO.	REV
APPLICATION		DO NOT SCALE DRAWING					B	10087	
						SCALE: 1:3		WEIGHT: 10.1 lbs	SHEET 1 OF 1

4

3

2

1