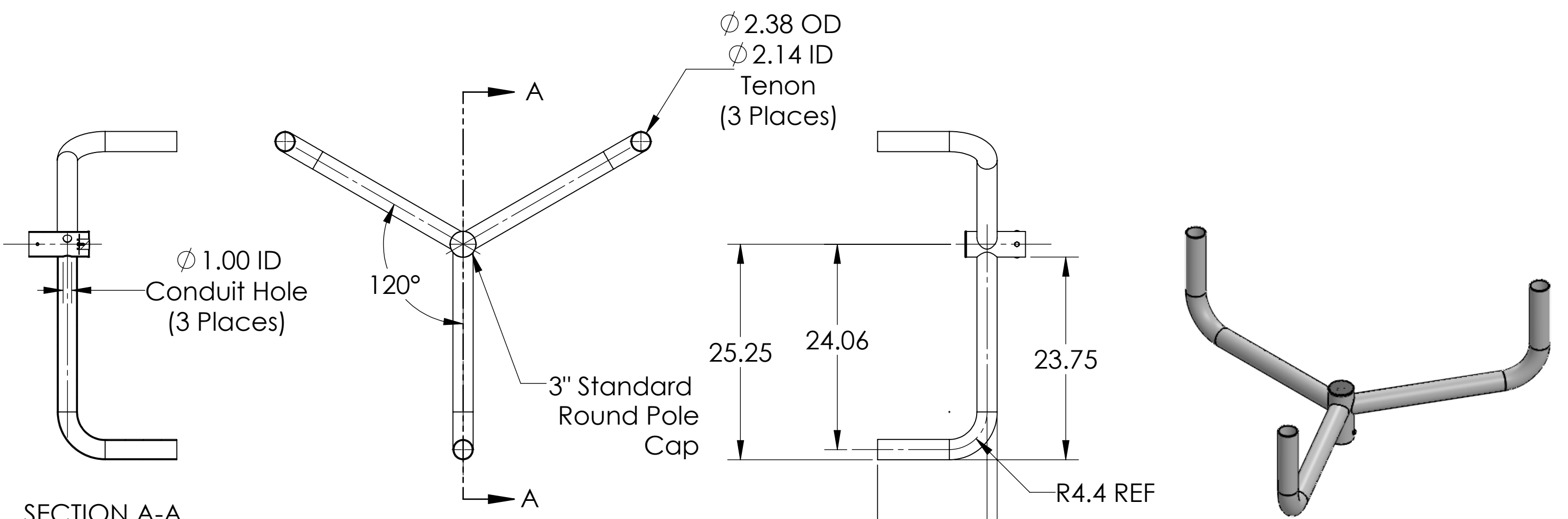


4

3

2

1



Ø 1.00 ID  
Conduit Hole  
(3 Places)

Ø 2.38 OD  
Ø 2.14 ID  
Tenon  
(3 Places)

120°

3" Standard  
Round Pole  
Cap

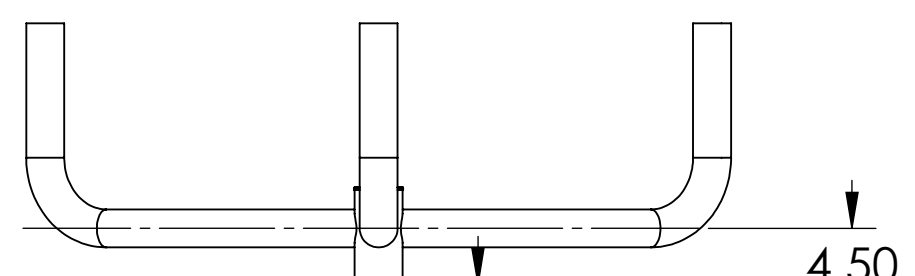
25.25 24.06 23.75

R4.4 REF

12.8 (REF)

14.00

SECTION A-A




Hex Head Screw  
Black Coated  
M8 x 1.25 Thread, 25mm  
3 Places 120° Apart

1.00  
Ø 3.00 OD  
Ø 2.76 ID

All dimensions and specifications are subject to change without any notice.

**PROPRIETARY AND CONFIDENTIAL**  
THE INFORMATION CONTAINED IN THIS DRAWING IS THE SOLE PROPERTY OF *Energy Light, Inc.* ANY REPRODUCTION IN PART OR AS A WHOLE WITHOUT THE WRITTEN PERMISSION OF *Energy Light, Inc.* IS PROHIBITED.

		UNLESS OTHERWISE SPECIFIED:		NAME	DATE
		DIMENSIONS ARE IN INCHES		DRAWN	MKA 03-29-21
		TOLERANCES:		ENG APPR.	
		FRACTIONAL: ± 1/64		MFG APPR.	
		ANGULAR: ± 0.5°		Q.A.	
		TWO PLACE DECIMAL ±0.01			
		THREE PLACE DECIMAL ±0.005			
		INTERPRET GEOMETRIC TOLERANCING PER:		 <b>Energy Light, Inc.</b> 1881 Rose Road Lake Zurich, IL 60047	
		MATERIAL			
		STEEL			
NEXT ASSY	USED ON	FINISH			
APPLICATION		DO NOT SCALE DRAWING			

TITLE:  
**Steel Bullhorn with  
3 Arms at 120  
Degrees**

SIZE	ITEM NO.	REV
<b>B</b>	<b>10064</b>	
SCALE: 1:12	WEIGHT: 24 lbs	SHEET 1 OF 1

4

3

2

1