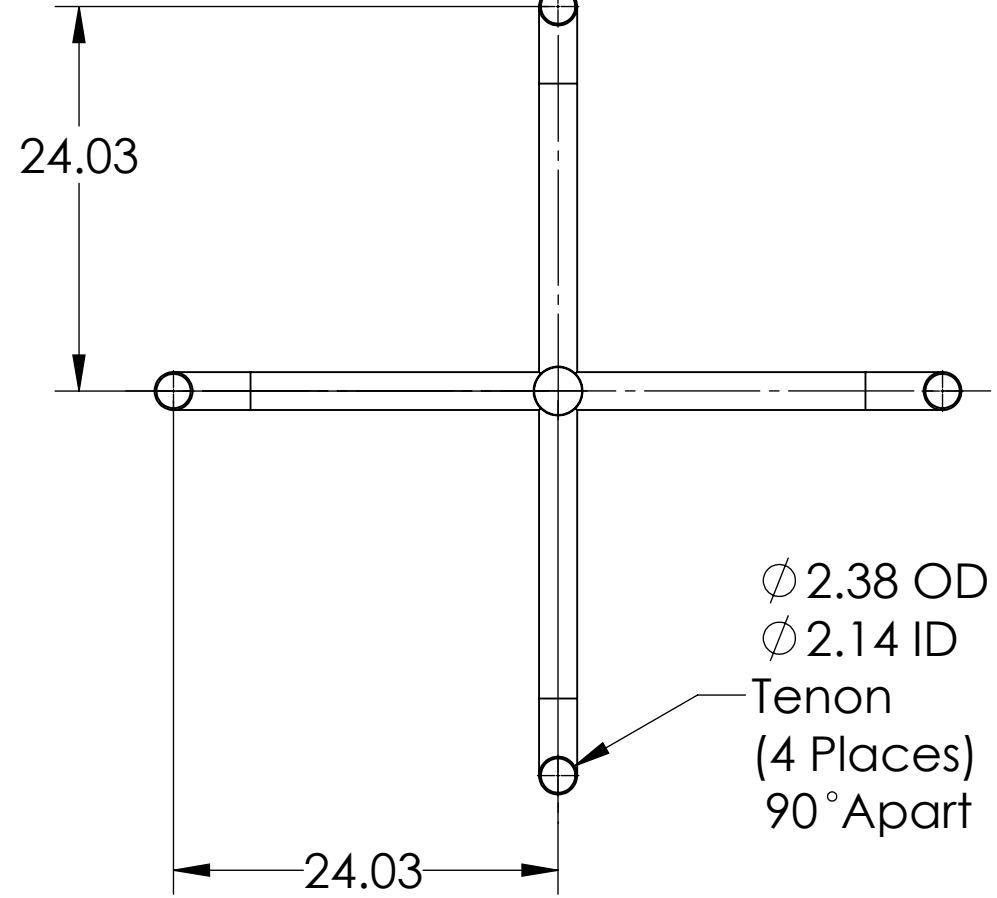


4

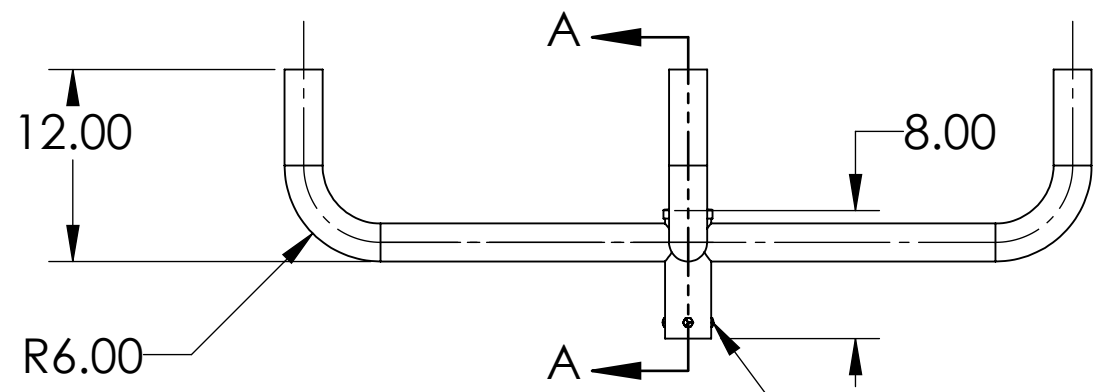
3

2

1



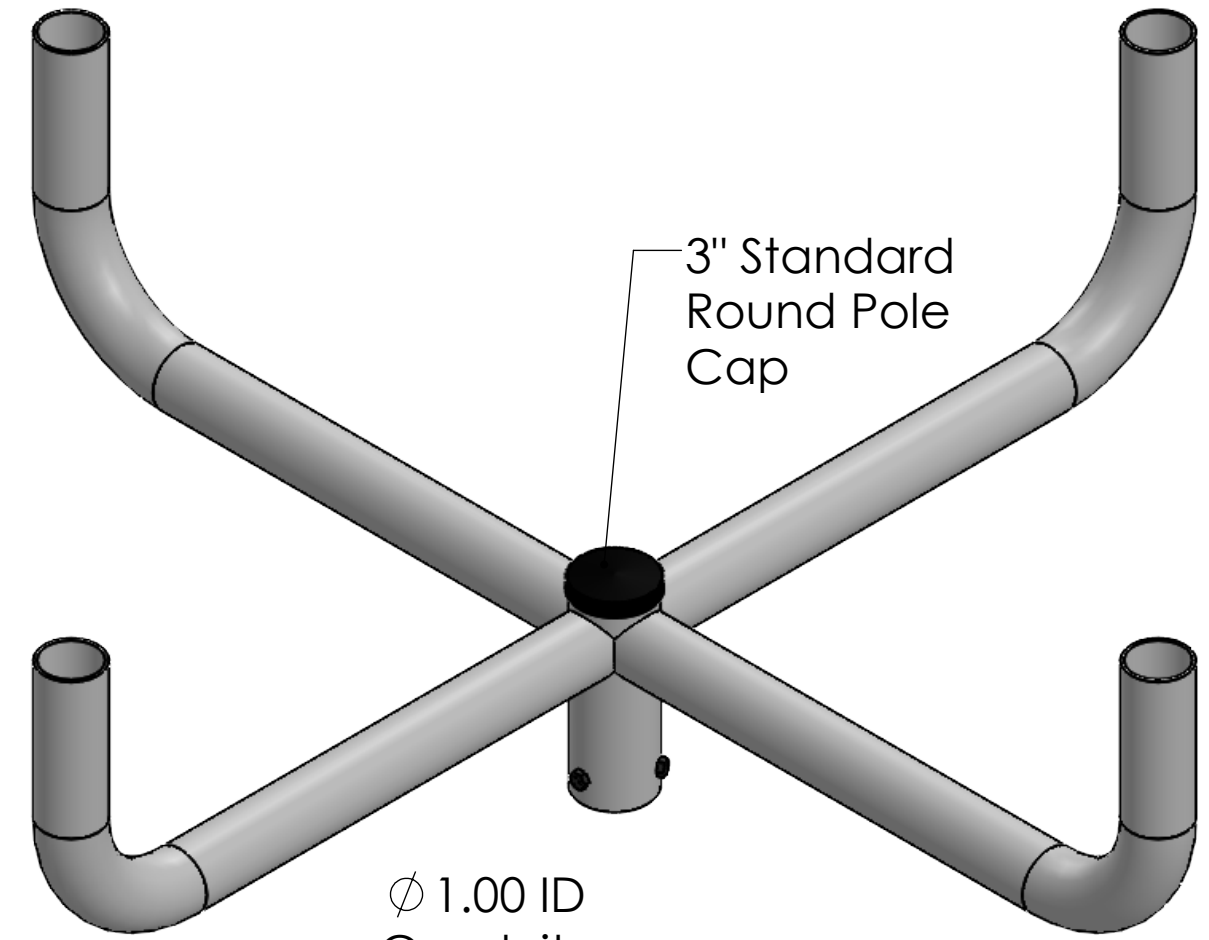
ϕ 2.38 OD
 ϕ 2.14 ID
 Tenon
 (4 Places)
 90° Apart



Hex Head Screw
 Black Oxide
 3/16-18 x 1.00 Long
 3 Places 120° Apart

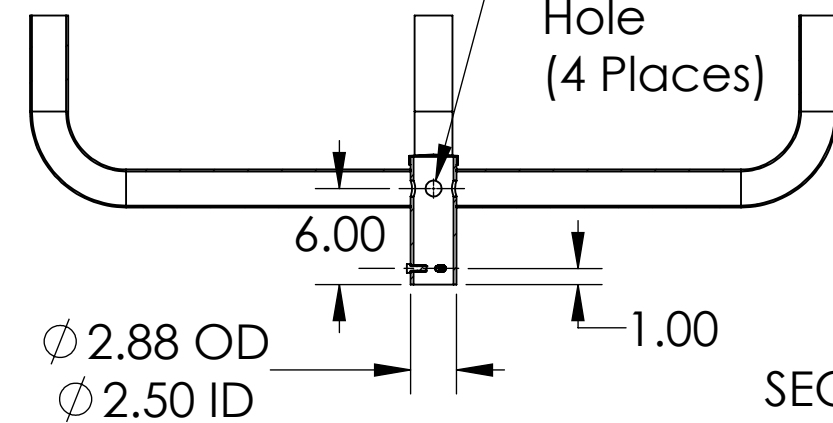
All dimensions and specifications are subject to change without any notice.

PROPRIETARY AND CONFIDENTIAL
 THE INFORMATION CONTAINED IN THIS DRAWING IS THE SOLE PROPERTY OF *Energy Light, Inc.* ANY REPRODUCTION IN PART OR AS A WHOLE WITHOUT THE WRITTEN PERMISSION OF *Energy Light, Inc.* IS PROHIBITED.




3" Standard Round Pole Cap

ϕ 1.00 ID
 Conduit Hole
 (4 Places)



SECTION A-A

		UNLESS OTHERWISE SPECIFIED:		NAME	DATE	TITLE:	
		DIMENSIONS ARE IN INCHES		DRAWN	MKA	10-23-20	Bullhorn with 4 Arms at 90°
		TOLERANCES:		ENG APPR.			
		FRACTIONAL \pm 1/64		MFG APPR.			
		ANGULAR: \pm 0.5°		Q.A.			
		TWO PLACE DECIMAL \pm 0.01				SIZE	ITEM NO.
		THREE PLACE DECIMAL \pm 0.005				B	10063
		INTERPRET GEOMETRIC TOLERANCING PER:		 Energy Light, Inc. 1881 Rose Road Lake Zurich, IL 60047		SCALE: 1:12	WEIGHT: 37 lbs
		MATERIAL				REVISION	REV
		STEEL					
NEXT ASSY	USED ON	FINISH					
APPLICATION		DO NOT SCALE DRAWING					
						SHEET 1 OF 1	

4

3

2

1

B

B

A

A