

PWR300

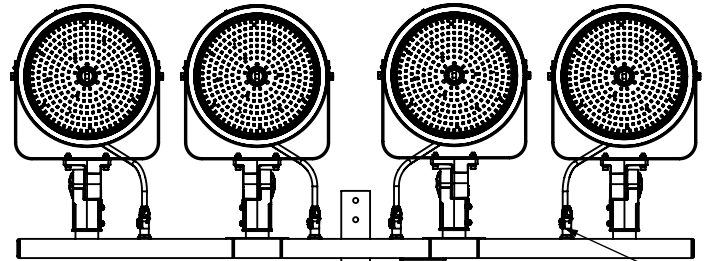
300,000 Lumen Power Bar Sports Light Package



Job: _____
 Job Site: _____ State: _____ Client Name: _____
 Notes: _____ Approvals: _____ Date: _____

Sports Light Package Includes:

One (1) Exclusive Power Bar Bracket with
 Four (4) 75,000 Lumen LED Lights and Visors.
 Power Bar Sports Lights Package ships pre-wired and ready to mount.
 Easy installation or replacement with EZ twist/lock connectors.



EZ twist/lock connector
 (4 Places)

LED Fixture:

Material: Aluminum construction with integrated fins to maximize heat dissipation.

Color: Black

Power: 500 Watts

Lumens: 75,000

Lumens/Watt: 150

Voltage: 120-277 Volt standard.

345-480 Volt option as special order.

Amps: 4.17 @ 120V/1.81 @ 277V

Color Temperature: 5000K

Beam Angle: 45°

Dimming: 0-10V Dimming Capable.

Dimming control not provided (field install).

IP Rating: IP66

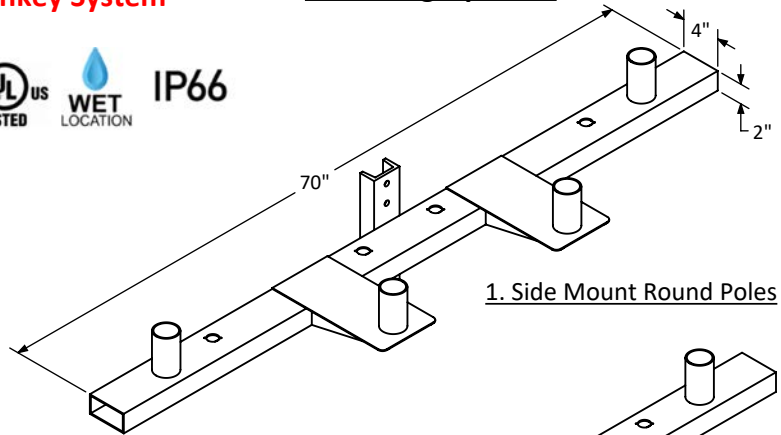
UL Listed: Yes

Life Expectancy: 50,000 hours

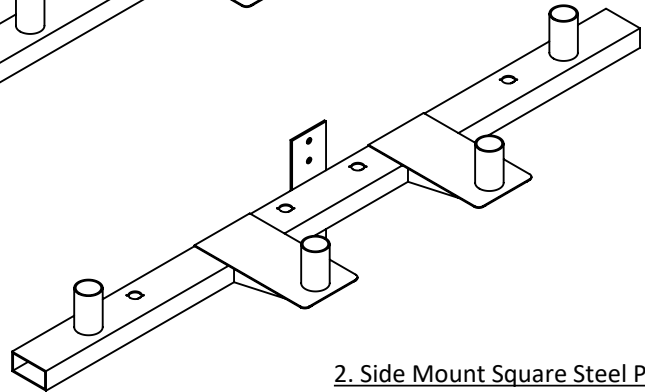
Weight: 25 lbs (Each)

**Plug & Go
 Pre-wired
 Turnkey System**

Mounting Options:



1. Side Mount Round Poles



2. Side Mount Square Steel Poles

Total Power: 2000 Watts

Total Lumens: 75,000 x 4=300,000

Total Amps: 16.68 @120V / 7.24 @277V

Power bar bracket:

The power bar bracket is designed and made in the USA from high quality structural steel.

Finish: Black Powder Coat

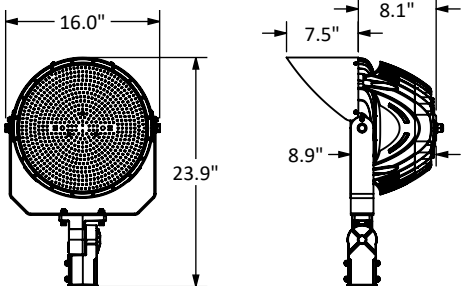
Weight: 45 lbs

Total Weight: 145 lbs

Max EPA (per AASHTO LRFDLTS-1) :

8.02 ft² with 180 mph wind speed (Including Bracket)

Warranty: 5 Years



Unique Advantages:

- Bracket is pre-wired and is ready to mount and power-up. Reduces installation labor up to 50%.
- LED lights attach easily to Power bar bracket with a waterproof twist/lock connector.
- Low EPA and wind resistance due our exclusive low profile bracket and light yet powerful LED sports lights.
- Unmatched value includes the entire pre-wired assembly consisting of LED lights, bracket, hardware.
- Mounting versatility allowing Power bar to work on round or square poles made of steel or wood.
- Customization capabilities to suit your needs.

Disclaimer: All dimensions and specifications are subject to change without any notice.

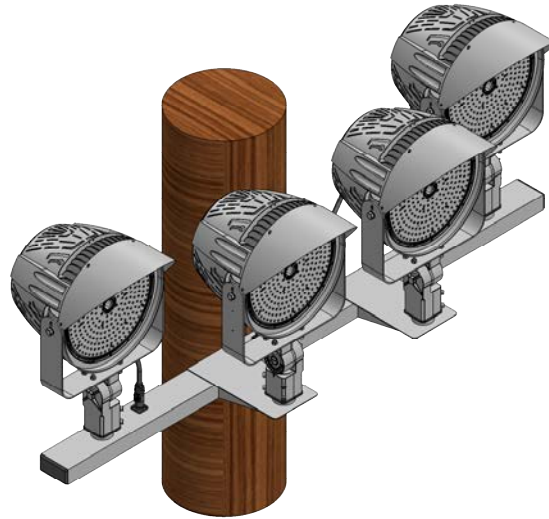
Energy Light, Inc. is not responsible for any claims arising from improper use and/or installation.

PWR300

300,000 Lumen Power Bar Sports Light Package

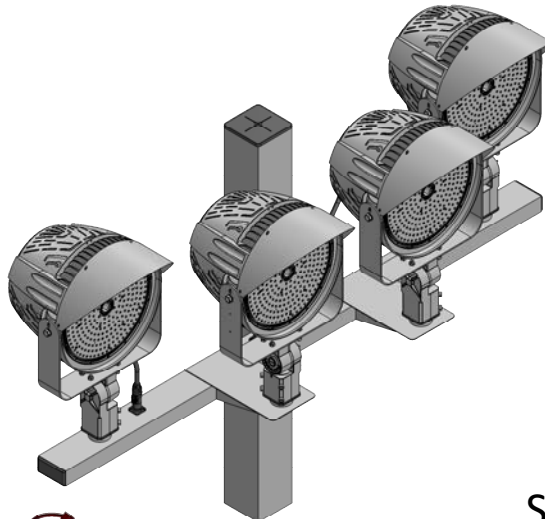


Job: _____
Job Site: _____ State: _____ Client Name: _____
Notes: _____ Approvals: _____ Date: _____



Side Mount
Round
Wood/Steel Pole

Vertical
Angle
Adjustment



Horizontal
Position
Adjustment

Side Mount
Square
Steel Pole

Disclaimer: All dimensions and specifications are subject to change without any notice. Energy Light, Inc. is not responsible for any claims arising from improper loading (what is attached to the light pole), improper use, incorrect foundation design and/or installation.