

QS25S4SQ188

25 Foot Square Steel Light Pole, 4 Inch Width, 7 Gauge, Dark Bronze, Quick Ship



Job: _____
 Job Site: _____ State: _____ Client Name: _____
 Notes: _____ Approvals: _____ Date: _____

Pole Top Options: A removable top cap is provided. Predrilled mounting holes are standard. 2-3/8 inch removable steel tenon is provided as an option.

Pole Shaft and Height: 4 inch square 7 gauge commercial grade steel with minimum yield strength of 50,000 psi. Pole height is 25 ft.

Handhole: 3" X 5" size reinforced handhole is located at 18 inches from the base. A ground lug with set screw is located near the handhole opening for proper grounding of the pole.

Color: Dark Bronze.

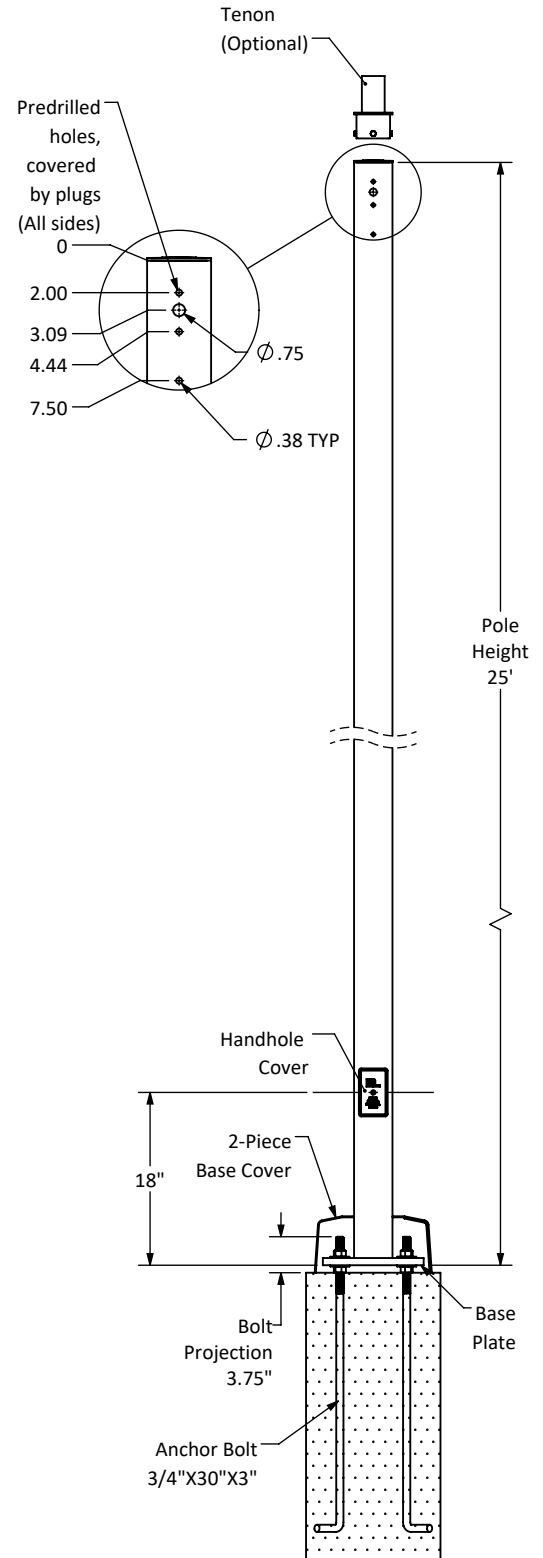
Anchor Bolts: A set of 4 galvanized steel anchor bolts is provided with each pole assembly. Each anchor bolt includes 2 nuts and 2 washers. Top portion of the anchor bolt is threaded for securing and leveling the pole with the provided nuts and washers. An actual size paper anchor bolt template is provided.

Bolt Circle: 8.5 inches (Bolt Circle Range: 8"-11").

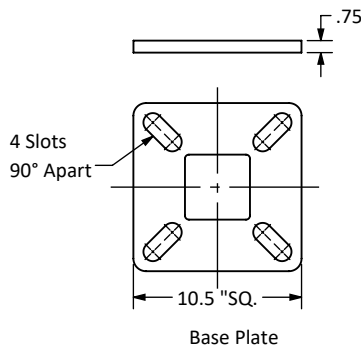
Base Cover: Two-piece ABS plastic base cover is provided.

Warranty: 1 Year.

Foundation design: Foundation should be designed by an engineer familiar with local soil and wind conditions as well as local code where the pole(s) will be installed.



Maximum EPA with 1.3 Gust Factor (Square Feet)					Pole Weight (lbs)
110 mph	120 mph	130 mph	140 mph	150 mph	
10.9	7.6	6.0	4.0	1.9	240



Disclaimer: All dimensions and specifications are subject to change without any notice. Energy Light, Inc. is not responsible for any claims arising from improper loading (what is attached to the light pole), improper use, incorrect foundation design and/or installation.