

# QS15S4RS125

## 15 Foot Round Straight Steel Light Pole, 4 Inch Diameter, 11 Gauge, Quick-Ship



Job: \_\_\_\_\_  
 Job Site: \_\_\_\_\_ State: \_\_\_\_\_ Client Name: \_\_\_\_\_  
 Notes: \_\_\_\_\_ Approvals: \_\_\_\_\_ Date: \_\_\_\_\_

**Pole Top Options:** Poles include a removable top cap and are pre-drilled on 2 sides at 180 degrees. A 2-3/8 inch diameter tenon is available as an option.

**Pole Shaft:** Pole shaft shall be weldable-grade, cold-rolled, commercial quality carbon steel tubing conforming to ASTM A500 Grade B 11 gauge.

**Handhole:** Reinforced, 3" x 5" Handhole with cover, stainless steel screw and backbar is located at 20.5 inches from the base. Ground lug is included.

**Finish:** Dark Bronze. Commercial grade, super durable powder coat finish.

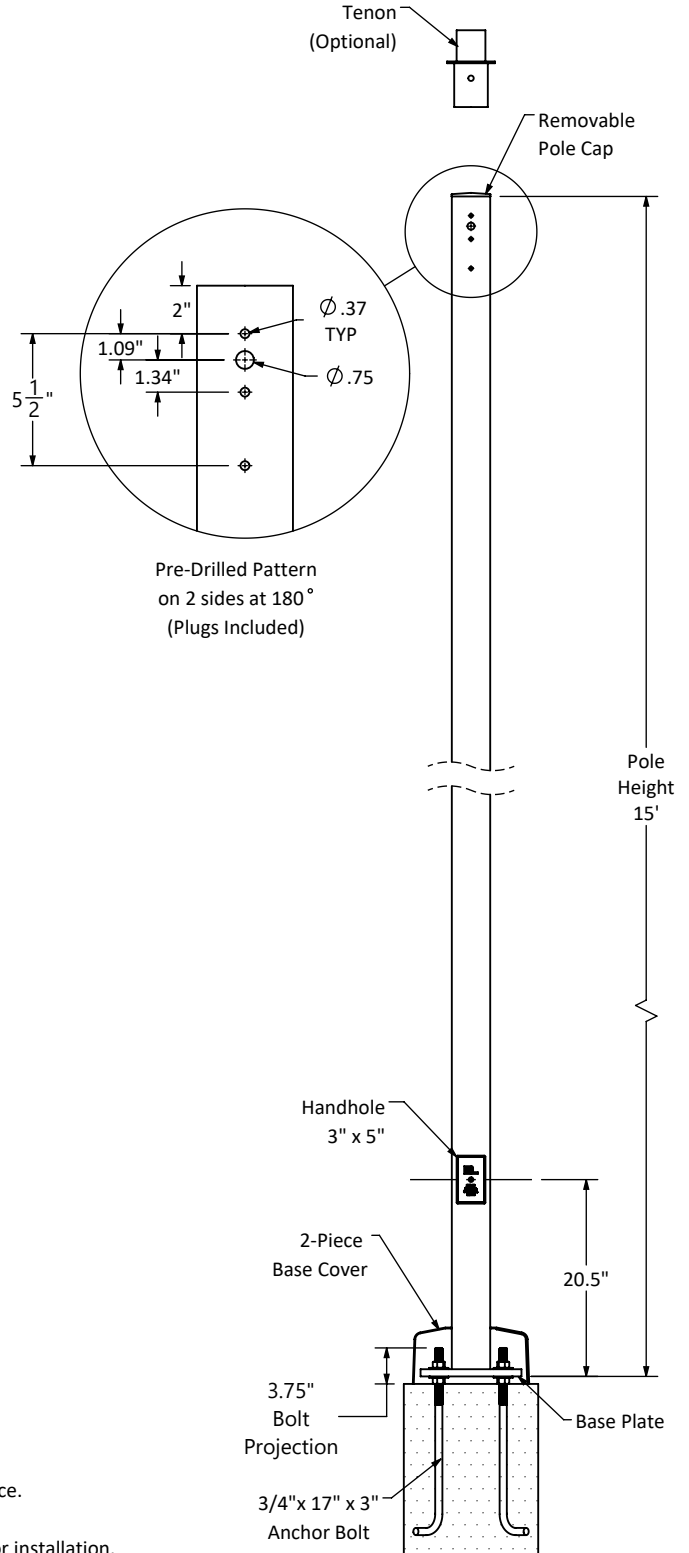
**Anchor Bolts:** A set of 4 galvanized steel anchor bolts is provided with each pole assembly. Each anchor bolt includes 2 nuts and 2 washers. Top portion of the anchor bolt is threaded for securing and leveling the pole with the provided nuts and washers. An actual size paper anchor bolt template is provided.

**Bolt Circle Range:** Bolt circle range: 8"-11".

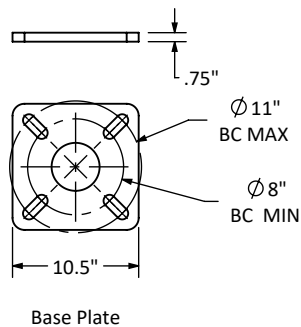
**Base Cover:** A 2-piece ABS plastic base cover is provided. Plastic rivets are included to securely attach the 2 pieces together after pole installation.

**Warranty:** 1 Year.

**Foundation design:** Foundation should be designed by an engineer familiar with local soil and wind conditions as well as local code where the pole(s) will be installed.



POLE WIND RATING (EPA) with 1.3 Gust Factor (Square Feet)						Pole Weight (lbs)
90 mph	100 mph	110 mph	120mph	130 mph	140 mph	
8.8	6.6	6.0	4.6	3.5	2.8	94



**Disclaimer:** All dimensions and specifications are subject to change without any notice. Energy Light, Inc. is not responsible for any claims arising from improper loading (what is attached to the light pole), improper use, incorrect foundation design and/or installation.