

PK0814A

LED Light Pole Kit with Four Adjustable LED Lights, Selectable Wattage 100/150/185 & Color Temperature, 10-25 Foot Pole Height Options



Job: _____
 Job Site: _____ State: _____ Client Name: _____
 Notes: _____ Approvals: _____ Date: _____

Commercial-grade LED Light Pole Assembly Includes:

Square steel light pole, 4 LED lights complete with adjustable slip fitters, low profile pole bracket, hardware, set of anchor bolts and a base cover.

Orientation Options: 1. Straight Inline.
 (see page 2) 2. 90° Orientation.

Light Pole:

Pole Shaft: 4 inch square 11 gauge (10 ft., 15 ft. and 20 ft.) and 7 gauge (25 ft.) commercial grade steel with minimum yield strength of 55,000 psi

Pole Height: Optional heights are 10 ft., 15 ft., 20ft. and 25 ft.

Custom heights are also available

Anchor Bolts: A set of 4 galvanized steel anchor bolts is provided.

Each anchor bolt includes 2 nuts and 2 washers.

Bolt Circle: 8-1/2" (Bolt Circle range: 8"-11").

Handhole: Handhole is located 18" above the base plate.

A 3" X 5" steel handhole cover is included.

Color: Dark Bronze

Base Cover: ABS Plastic base cover with rivets.

LED Fixture:

Material: Aluminum construction with integrated fins to maximize heat dissipation.

Color: Dark Bronze.

Preset Power: 150 Watts

Voltage: 120-277 Volt standard.

Preset Color Temperature: 5000K

Light Distribution: Type 3 standard.

Type 4 and Type 5 options as special order.

Photocell: Photocell is optional.

Dimming: 0-10V Dimming Capable.

Dimming control not provided (field install).

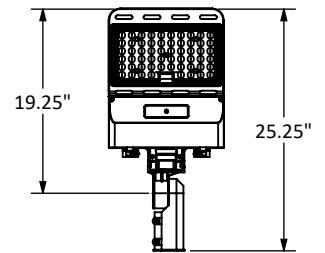
ETL Listing: ETL Listed for Wet Locations.

DLC Listing: DLC Premium.

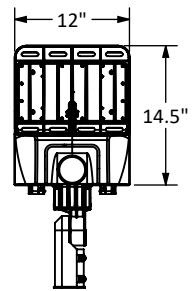
IP Rating: IP65

Warranty: 5 Years.

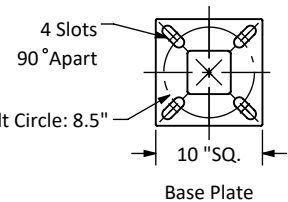
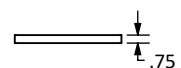
Weight: 11.5 lbs (each fixture)



LED Fixture Front View



LED Fixture Back View



Pole Height	Anchor Bolt
10 ft, 15 ft, 20 ft	3/4"x17"x3"
25 ft	3/4"x30"x3"



TOTAL POWER (W)	LOW			MID			HIGH		
	4x100=400			4x150=600			4x185=740		
TOTAL AMPS	120V	4x0.87=3.48		120V	4x1.31=5.24		120V	4x1.62=6.48	
	277V	4x0.38=1.52		277V	4x0.57=2.28		277V	4x0.70=2.80	
COLOR TEMPERATURE (K)	3000	4000	5000	3000	4000	5000	3000	4000	5000
LUMENS	4x14,500=58,000	4x16,000=64,000	4x15,000=60,000	4x21,750=87,000	4x24,000=96,000	4x22,500=90,000	4x26,825=107,300	4x29,600=118,400	4x27,750=111,000
LUMENS/WATT	145	160	150	145	160	150	145	160	150

Disclaimer: All dimensions and specifications are subject to change without any notice. Light Pole Foundation should be designed by an engineer familiar with local soil and wind conditions as well as local code where the light pole will be installed.

PK0814A

LED Light Pole Kit with Four Adjustable LED Lights,
Selectable Wattage 100/150/185 & Color Temperature,
10-25 Foot Pole Height Options

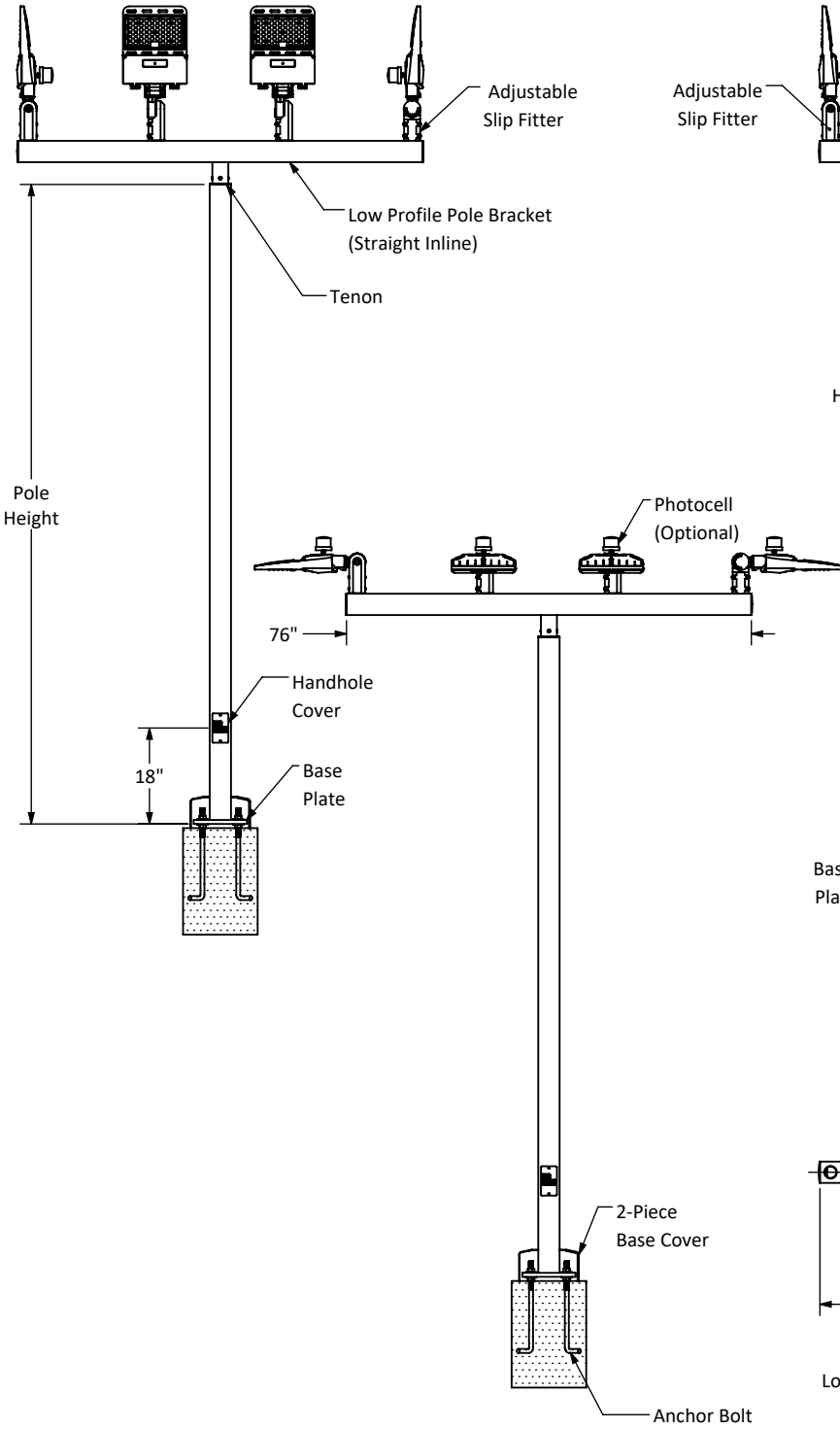


Job: _____

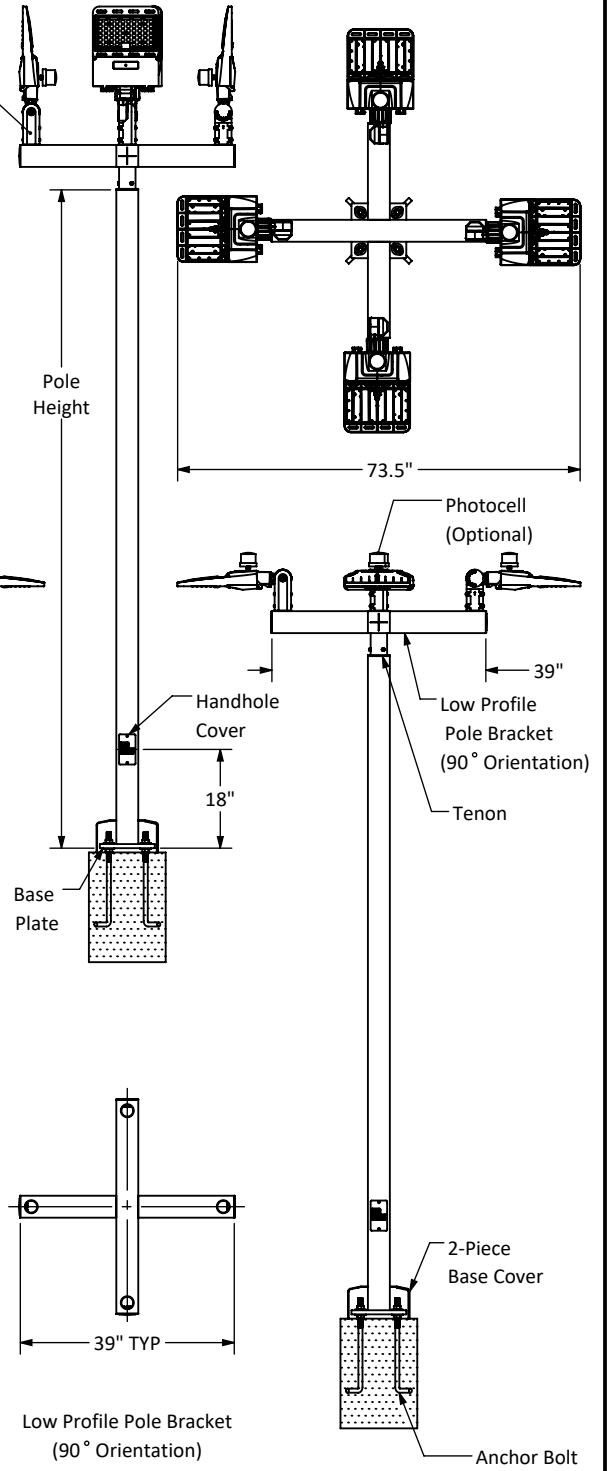
Job Site: _____ State: _____ Client Name: _____

Notes: _____ Approvals: _____ Date: _____

1. Straight Inline



2. 90° Orientation



EPA Rating: 1.74 Sq.ft

Disclaimer: All dimensions and specifications are subject to change without any notice. Light Pole Foundation should be designed by an engineer familiar with local soil and wind conditions as well as local code where the light pole will be installed.