

PK0813

LED Light Pole Kit with Three LED Area Lights, Selectable Wattage 100/150/185 & Color Temperature, 10-25 Foot Pole Height Options



Job: _____
 Job Site: _____ State: _____ Client Name: _____
 Notes: _____ Approvals: _____ Date: _____

Commercial-grade LED Light Pole Assembly Includes:

Square steel light pole, Three LED lights complete with mounting bracket and hardware, set of anchor bolts and a base cover.

Light Pole:

Pole Shaft: 4 inch square 11 gauge (10 ft., 15 ft. and 20 ft.) and 7 gauge (25 ft.)

commercial grade steel with minimum yield strength of 55,000 psi

Pole Height: Optional heights are 10 ft., 15 ft., 20ft. and 25 ft.

Custom heights are also available

Anchor Bolts: A set of 4 galvanized steel anchor bolts is provided.

Each anchor bolt includes 2 nuts and 2 washers.

Bolt Circle: 8-1/2" (Bolt Circle range: 8"-11").

Handhole: Handhole is located 18" above the base plate.

A 3" X 5" steel handhole cover is included.

Color: Dark Bronze

Base Cover: ABS Plastic base cover with rivets.

LED Fixture:

Material: Aluminum construction with integrated fins to maximize heat dissipation.

Color: Dark Bronze.

Preset Power: 150 Watts

Voltage: 120-277 Volt standard.

Preset Color Temperature: 5000K

Light Distribution: Type 3 standard.

Type 4 and Type 5 options as special order.

Photocell: Photocell is optional.

Dimming: 0-10V Dimming Capable.

Dimming control not provided (field install).

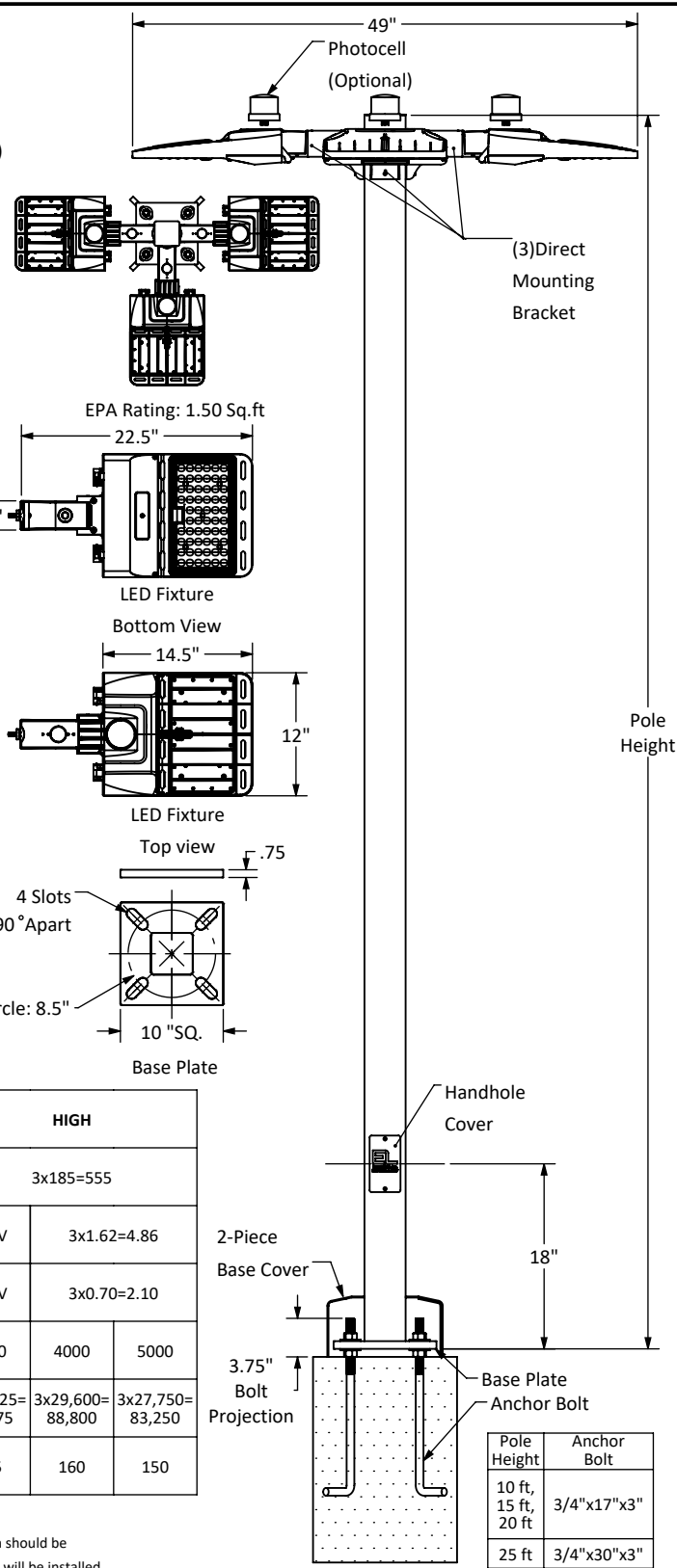
ETL Listing: ETL Listed for Wet Locations.

DLC Listing: DLC Premium.

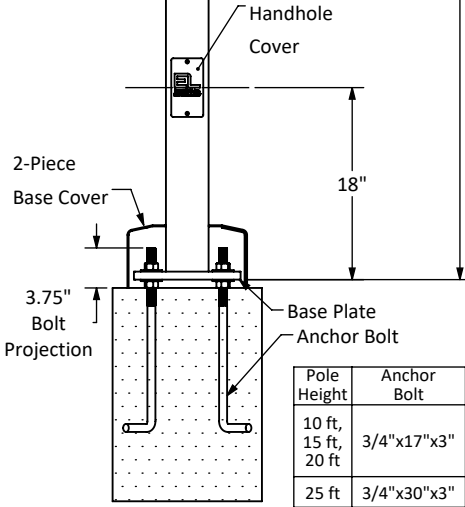
IP Rating: IP65

Warranty: 5 Years.

Weight: 10 lbs (each fixture)



TOTAL POWER (W)	LOW			MID			HIGH		
	3x100=300			3x150=450			3x185=555		
TOTAL AMPS	120V	3x0.87=2.61		120V	3x1.31=3.93		120V	3x1.62=4.86	
	277V	3x0.38=1.14		277V	3x0.57=1.71		277V	3x0.70=2.10	
COLOR TEMPERATURE (K)	3000	4000	5000	3000	4000	5000	3000	4000	5000
LUMENS	3x14,500=43,500	3x16,000=48,000	3x15,000=45,000	3x21,750=65,250	3x24,000=72,000	3x22,500=67,500	3x26,825=80,475	3x29,600=88,800	3x27,750=83,250
LUMENS/WATT	145	160	150	145	160	150	145	160	150



Disclaimer: All dimensions and specifications are subject to change without any notice. Light Pole Foundation should be designed by an engineer familiar with local soil and wind conditions as well as local code where the light pole will be installed.