

# PK0812A

## LED Light Pole Kit with Two Adjustable LED Lights, Selectable Wattage 100/150/185 & Color Temperature, 10-25 Foot Pole Height Options



Job: \_\_\_\_\_ Client Name: \_\_\_\_\_  
 Job Site: \_\_\_\_\_ State: \_\_\_\_\_ Approvals: \_\_\_\_\_ Date: \_\_\_\_\_  
 Notes: \_\_\_\_\_

### Commercial-grade LED Light Pole Assembly Includes:

Square steel light pole, Two LED lights complete with adjustable slip fitter and hardware, set of anchor bolts and a base cover.

#### Light Pole:

**Pole Shaft:** 4 inch square 11 gauge (10 ft., 15 ft. and 20 ft.) and 7 gauge (25 ft.) commercial grade steel with minimum yield strength of 55,000 psi

**Pole Height:** Optional heights are 10 ft., 15 ft., 20ft. and 25 ft.

Custom heights are also available

**Anchor Bolts:** A set of 4 galvanized steel anchor bolts is provided.

Each anchor bolt includes 2 nuts and 2 washers.

**Bolt Circle:** 8-1/2" (Bolt Circle range: 8"-11" ).

**Handhole:** Handhole is located 18" above the base plate.

A 3" X 5" steel handhole cover is included.

**Color:** Dark Bronze

**Base Cover:** ABS Plastic base cover with rivets.

#### LED Fixture:

**Material:** Aluminum construction with integrated fins to maximize heat dissipation.

**Color:** Dark Bronze.

**Preset Power:** 150 Watts

**Voltage:** 120-277 Volt standard.

**Preset Color Temperature:** 5000K

**Light Distribution:** Type 3 standard.

Type 4 and Type 5 options as special order.

**Photocell:** Photocell is optional.

**Dimming:** 0-10V Dimming Capable.

Dimming control not provided (field install).

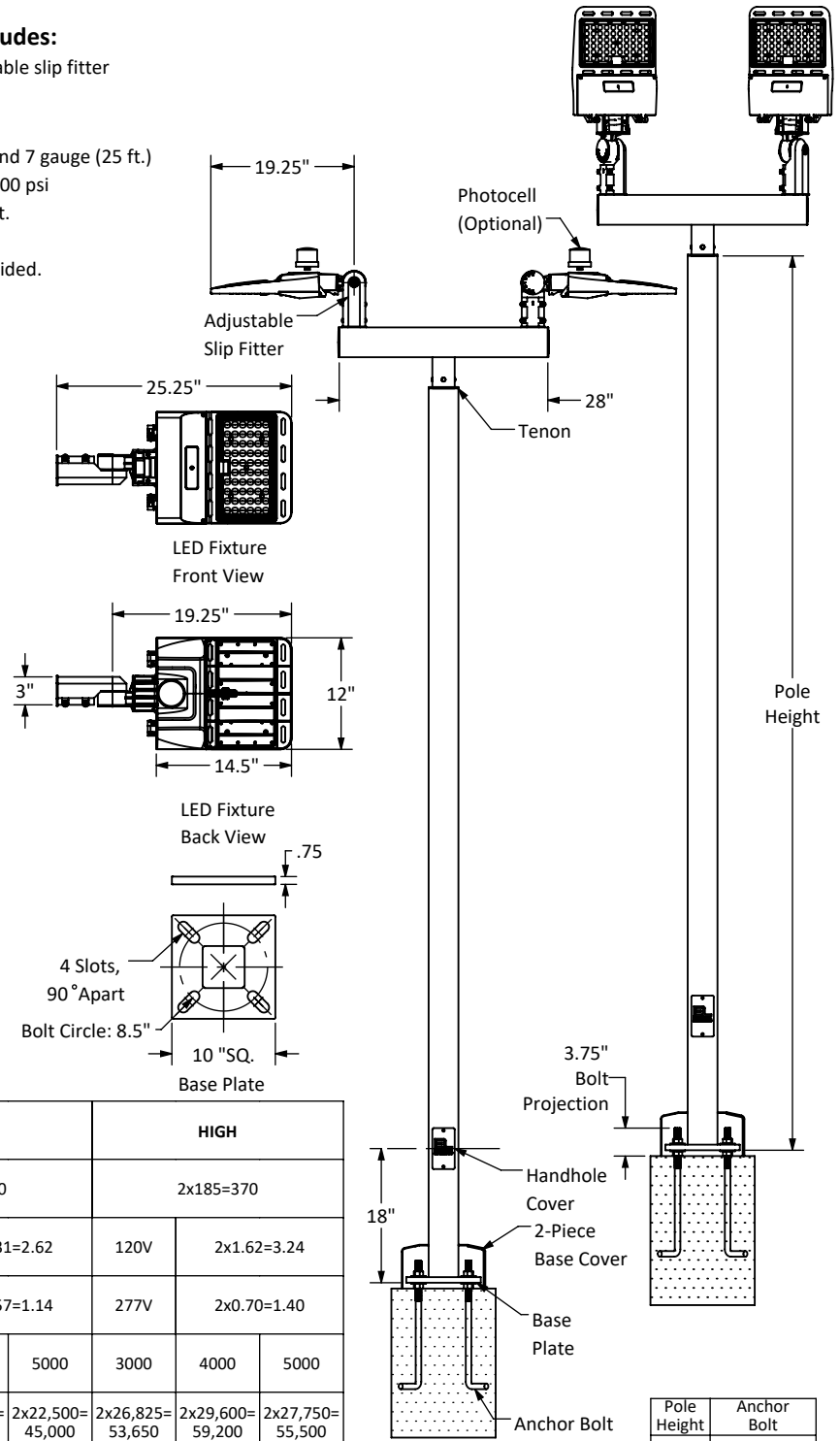
**ETL Listing:** ETL Listed for Wet Locations.

**DLC Listing:** DLC Premium.

**IP Rating:** IP65

**Warranty:** 5 Years.

**Weight:** 11.5 lbs (per fixture).



TOTAL POWER (W)	LOW			MID			HIGH		
	2x100=200			2x150=300			2x185=370		
TOTAL AMPS	120V	2x0.87=1.74		120V	2x1.31=2.62		120V	2x1.62=3.24	
	277V	2x0.38=0.76		277V	2x0.57=1.14		277V	2x0.70=1.40	
COLOR TEMPERATURE (K)	3000	4000	5000	3000	4000	5000	3000	4000	5000
LUMENS	2x14,500=29,000	2x16,000=32,000	2x15,000=30,000	2x21,750=43,500	2x24,000=48,000	2x22,500=45,000	2x26,825=53,650	2x29,600=59,200	2x27,750=55,500
LUMENS/WATT	145	160	150	145	160	150	145	160	150

**Disclaimer:** All dimensions and specifications are subject to change without any notice. Light Pole Foundation should be designed by an engineer familiar with local soil and wind conditions as well as local code where the light pole will be installed.

EPA Rating: 1.10 Sq.ft

Pole Height	Anchor Bolt
10 ft, 15 ft, 20 ft	3/4"x17"x3"
25 ft	3/4"x30"x3"