

QS30F10RTDB

30 Foot Above Grade Round Tapered Direct Burial Fiberglass Light Pole, Quick Ship



Job: _____
 Job Site: _____ State: _____ Client Name: _____
 Notes: _____ Approvals: _____ Date: _____

Pole Shaft: Multiple layers of centrifugally wound fiberglass infused with polyester resin topped with extremely durable gelcoat.

Pole top options: A 2-3/8" aluminum tenon is provided.
 A removable pole cap or open top are optional.

This pole does not accommodate holes drilled on the side wall for the purpose of attaching direct mounting arms. Instead, we offer a large variety of tenon adaptors that will fit over the 2-3/8" tenon to allow any fixture attachment configuration possible.

Handhole: An extra-large hand hole is provided for ease of access and installation. Handhole measures 12" X 5" and is located 28" above the ground line. A cover with 2 locking mechanisms and mounting screws are provided.

Color: Black.
 Best in class, extra durable finish provides glossy look.

Embedment: Embedment length is 8 ft.
 A 2" X 6" size slotted opening is provided 18" below the ground line for conduit entry. All Sharp Edges around the Bottom of the shaft and around Conduit Entry are covered with Heavy Duty Rubber Trim.

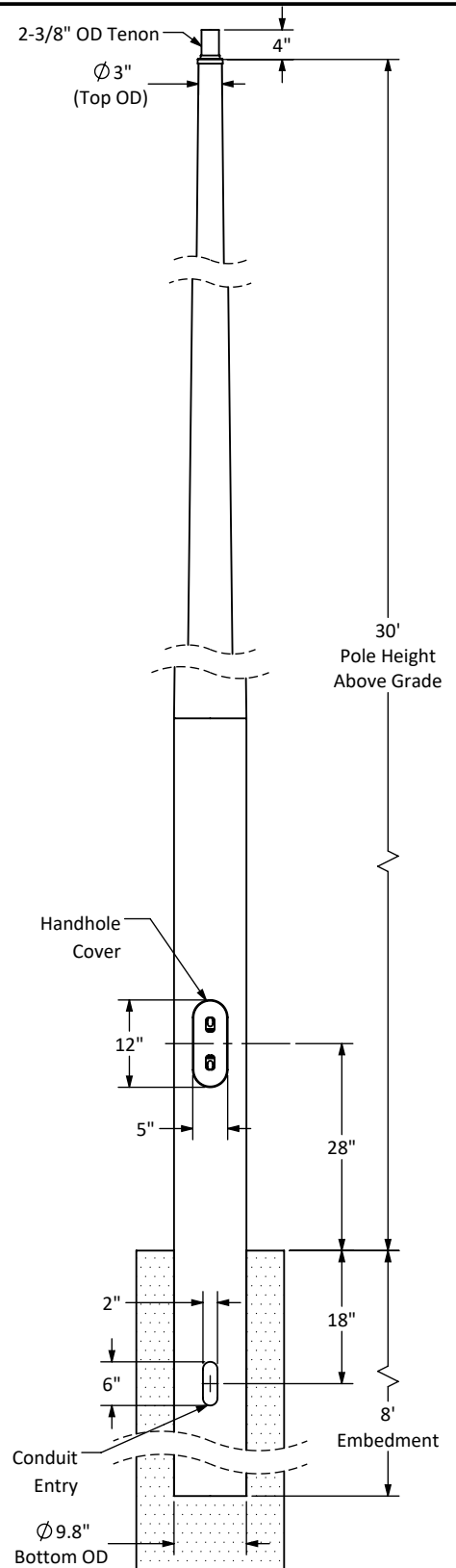
Warranty: 10 Years

Weight: 132 lbs.

Features and Benefits:

- Does not rust or corrode.
- Much stronger and flexible than steel or aluminum poles.
- Dent-resistant.
- Non-conductive. Safe for public areas.
- Excellent choice for coastal areas and harsh winter zones with corrosion issues due to humidity and salt spray.

Maximum EPA with 1.3 Gust Factor (ft ²) per AASHTO LRFDLTS-1											
80 mph/ Max wt (lbs)	90 mph/ Max wt (lbs)	100 mph/ Max wt (lbs)	110 mph/ Max wt (lbs)	115 mph/ Max wt (lbs)	120 mph/ Max wt (lbs)	130 mph/ Max wt (lbs)	140 mph/ Max wt (lbs)	150 mph/ Max wt (lbs)	160 mph/ Max wt (lbs)	170 mph/ Max wt (lbs)	180 mph/ Max wt (lbs)
5.5/ 138	5.0/ 125	4.4/ 110	4.0/ 100	3.7/ 93	3.5/ 88	3.0/ 75	2.5/ 63	2.1/ 60	1.6/ 60	1.2/ 60	0.9/ 60



Disclaimer: All dimensions and specifications are subject to change without any notice.
 Energy Light, Inc. is not responsible for any claims arising from improper loading (what is attached to the light pole), improper use, incorrect foundation design and/or installation.
 Note: Suitability of site soils and backfill material should be determined by a professional engineer based in site-specific parameters.