

15A4SS188DB

Square Direct Burial Aluminum Light Pole 15 Foot Above Grade, 4 Inch Wide, 0.188 Inch Wall Thickness



Job: _____ Job Site: _____ State: _____ Client Name: _____
 Notes: _____ Approvals: _____ Date: _____

Pole Top Options: A removable pole cap or open top are standard options. Available tenon diameter options are: 2-3/8 in. or 3 in. Both tenon options are 4 in. long.

Pole Shaft: 15 ft. height above ground, 4 in. square straight aluminum with 0.188 in. wall thickness. The pole shaft is constructed of seamless extruded tube of 6063 Series Aluminum Alloy per the requirements of ASTM B221.

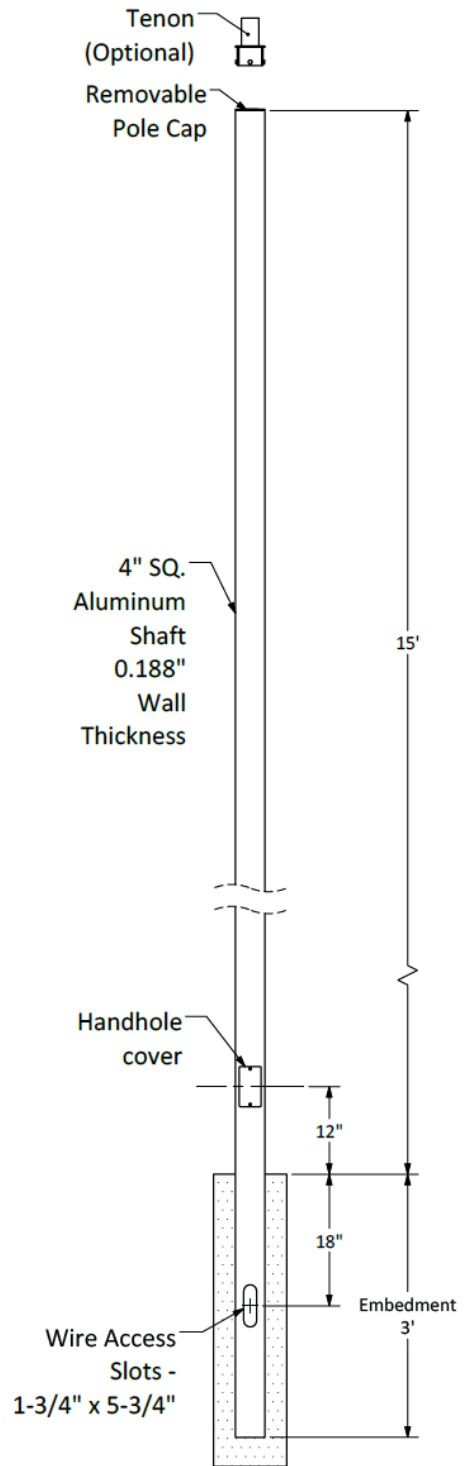
Handhole: 2 in. X 4 in. handhole is located 12 in. above ground. Handhole cover with 2 screws is provided. A ground lug with set screw is located near the handhole opening for proper grounding of the pole.

Embedment: Embedment length is 3 ft. Wire access is provided 18 in. below ground line.

Finish: Commercial grade, super durable powder coat finish. Dark Bronze is standard color. Black, White, Gray colors are available with extended lead times and additional surcharge.

Warranty: 10 Years.

Foundation Design: Foundation should be designed by an engineer familiar with local soil and wind conditions as well as local code where the pole(s) will be installed.



POLE WIND RATING (EPA) with 1.3 Gust Factor					POLE LENGTH AND WEIGHT		
70 mph	80 mph	90 mph	100 mph	110 mph	Embedment (ft)	Total Length (ft)	Weight (lbs)
14.7	10.5	7.6	5.5	4.0	3	18	61

Disclaimer: All dimensions and specifications are subject to change without any notice. Energy Light, Inc. is not responsible for any claims arising from improper loading (loading is defined as what is attached to the light pole), improper use, incorrect foundation design and/or installation.



Energy Light, Inc. 1881 Rose Road, Lake Zurich, IL 60047 • (224) 539-8285
 © 2022 Energy Light, Inc. All rights reserved. Specifications subject to change without notice.

